

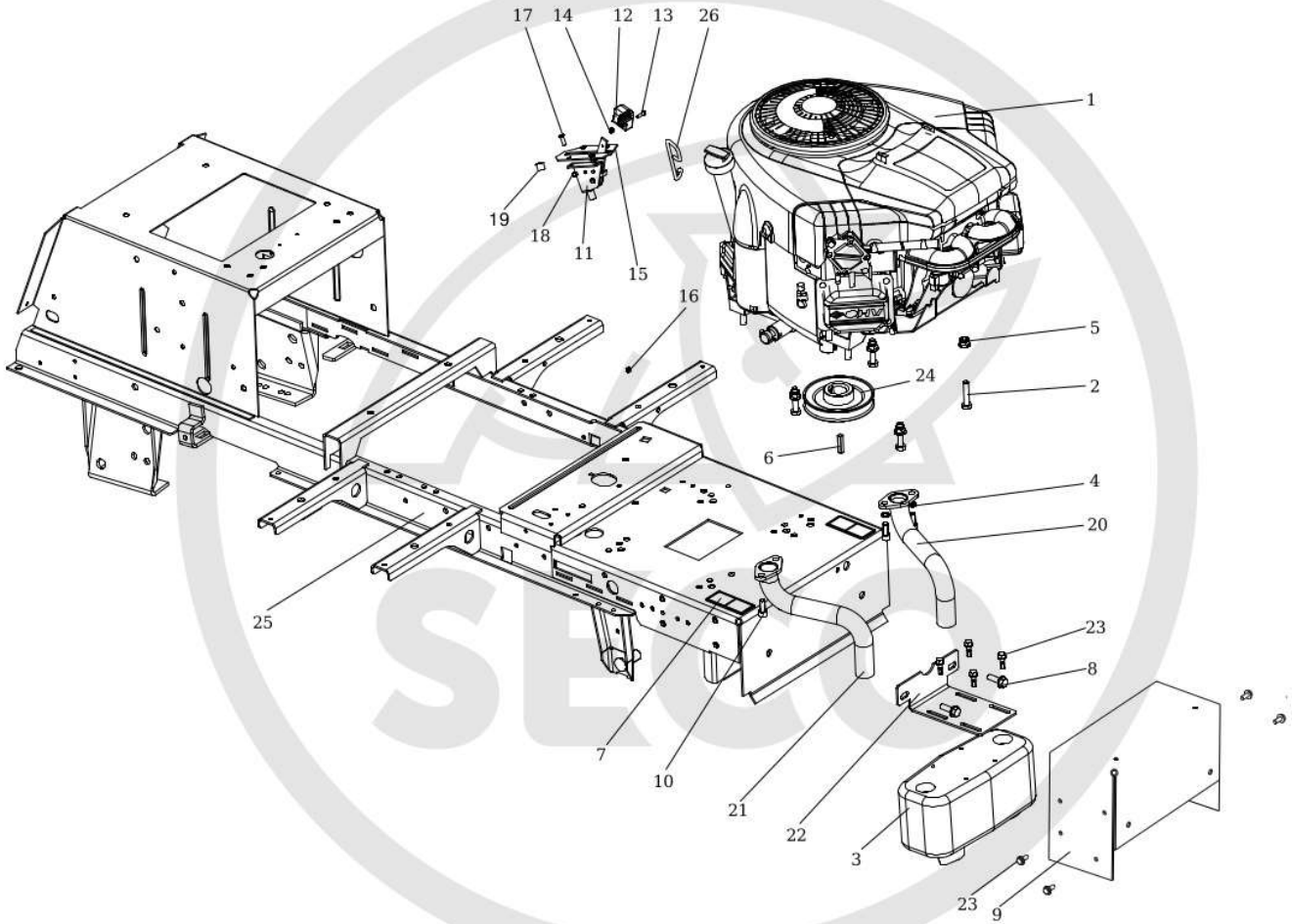
Obrázek není k
dispozici



Model: KIJ5A-22-0006

Group: KIJ01-22-0012

Engine 22 HP INTEK



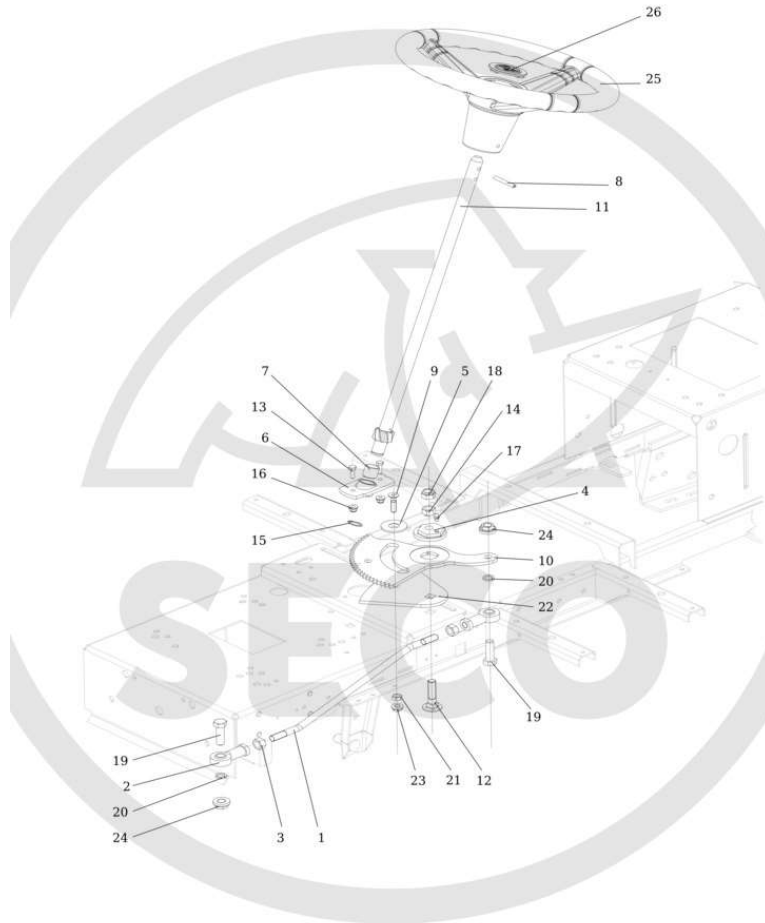
ID	Name	Item code	No.	UOM
1	MOTOR 7220EXI (INTEK 22HP EFM)	N482349043	1	KS
2	Screw M 8X40	N309503544	4	KS
3	Exhaust Nelson 24500 N-20 V-twin	N443900129	1	KS
4	Washer 8	N311214502	4	KS
5	Nut M 8 DIN 6926 8 Zinc	N532150290	4	KS
6	Key 0-9231-213	N311726101	1	KS
7	Label 0-8732-337	N283292223	2	KS
8	Screw M 8x25 DIN 7500 D	N309578540	2	KS
9	Exhaust cover UJ V2	S532085422123	1	KS
10	Screw vyf.imbus 5/16x3/4 Unc Zinc	N309579502	4	KS
11	Throttle lever 9-8071-223	N443900085	1	KS
12	Throttle lever 0-8060-244 black	N443900148	1	KS
13	Screw M 4X14 021131.25	N309231535	1	KS
14	Nut M4	N311129514	1	KS
15	Reinforcement	S532080302873	1	KS
16	Nut W1/4-20 Unc Zinc.	N311122501	1	KS
17	Screw M 5X16	N309251515	4	KS
18	Nut M5	N311129515	4	KS
19	Blind flange BS 11/15 black	N321841082	1	KS
20	Tube left Intek/UJ	S532927442023	1	KS
21	Tube right Intek/UJ	S532927442013	1	KS
22	Exhaust holder UJ	S532113402093	1	KS
23	SCREW M 6X16 DIN 7500D BN 3326	N309578517	8	KS
24	Engine pulley 9-3325-295 K46	N532151345	1	KS
25	Frame compl. UJ/2014	S532912962843	1	KS
26	HOOK 0-9242-240	N532980071	1	KS

ID	Name	Item code	No.	UOM
1	Pin left	S532916432143	1	KS
2	Pin right	S532916432153	1	KS
3	Axle	S532016542083	1	KS
4	Lever	S532080503603	1	KS
5	Spacer	S532195203533	2	KS
6	Connecting rod 0-9010-572	N532151336	1	KS
7	Angular joint 16 R DIN71802CS M12	N442073020	1	KS
8	Angular joint 16 L DIN71802CS M12	N442073019	1	KS
9	Nut M12 left	N311120539	1	KS
10	Cover 0-8025-237	N532150915	2	KS
11	Woodruff key 5e7X7.5	N311728003	1	KS
12	Washer 19	N311210514	4	KS
13	Screw M 10X80	N309501527	2	KS
14	Screw M 6X40	N309203524	1	KS
15	Nut M 10 DIN 6926 Zinc	N311129523	2	KS
16	Washer	S532092208363	2	KS
17	Nut M 6	N311129513	1	KS
18	Nut M 12 DIN 6923 8 Zinc. toothed	N311129521	2	KS
19	Lubricating head MK 8x1	N425111016	1	KS
20	Lubricating head MK 6x1	N425111004	2	KS
21	Screw M 8x90	N309501524	1	KS
22	Pin	S532093202793	1	KS
23	Nut M 16 DIN 6926	N311129527	1	KS
24	Washer	S532092208383	4	KS
25	Lock ring E-75 3/4	N311732023	4	KS
26	Washer	S532092208153	6	KS
	Wheel front 16x6.5-8 Grassmaster	N532940164	2	KS
28	Wheel disc front 5.50AX8H2 OTR 20	N325111024	2	KS
29	Tyre front 16/6,5x8 Multi trac	N274161023	2	KS
30	Nut M 12	N311120504	1	KS
31	Front wheel bearing 3/4 Compensa	N324196019	4	KS

Model: KUJ5A-22-0006

Group: KUJ05-14-0001

Steering UJ102

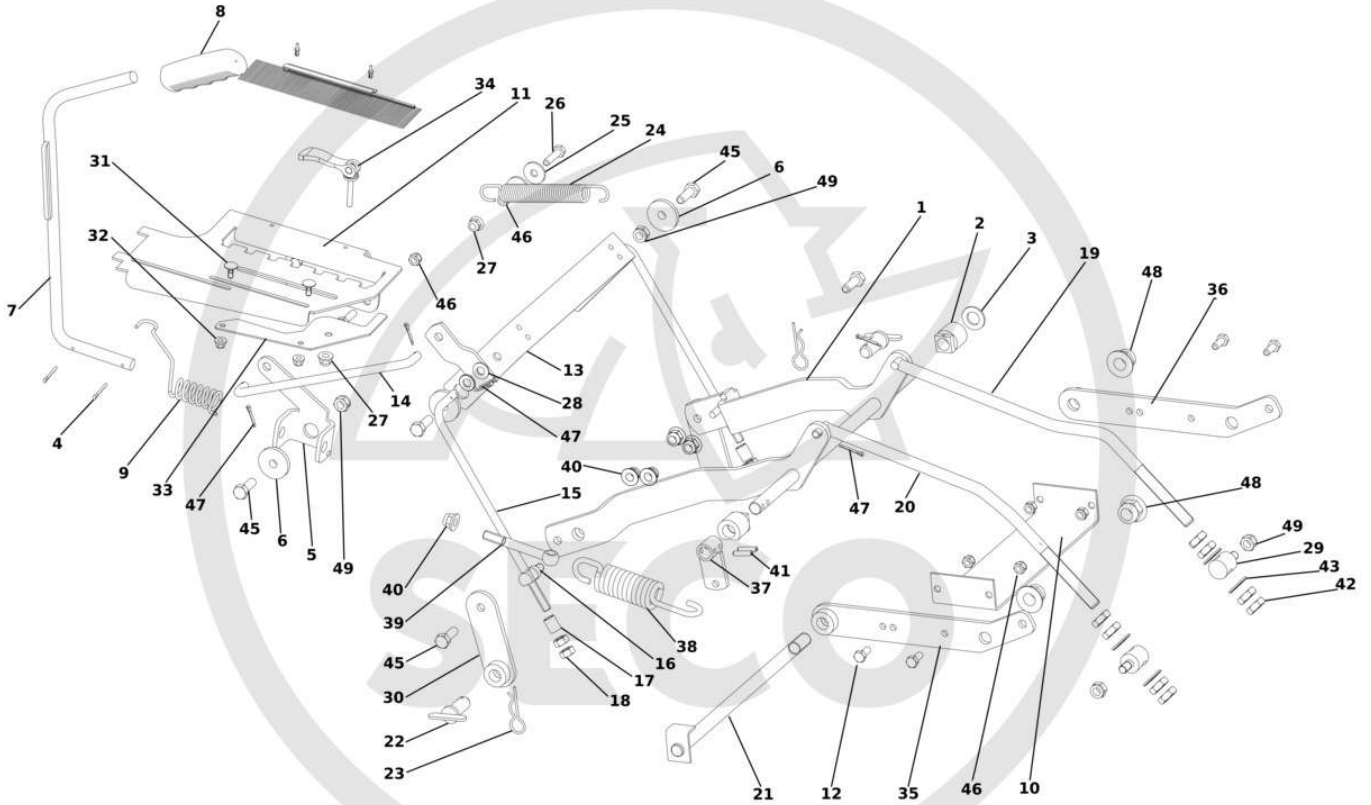


ID	Name	Item code	No.	UOM
1	Steering rod 0-8041-338	N532151347	1	KS
2	Joint head PHS 12 CN	N442073028	2	KS
3	Nut M 12	N311150505	3	KS
4	Eccentric	S532080272033	1	KS
5	Spacer	S532195202593	1	KS
6	Bearing	S532938542103	1	KS
7	Bushing 1920 KU	N323721002	1	KS
8	Spring pin 6x45	N315238031	1	KS
9	Screw M 8x35 DIN 7991 10.9 Zinc	N309578534	1	KS
10	Toothed Segment	S532033322453	1	KS
11	Pinion compl.	S532930252043	1	KS
12	Screw M 12X55.8.8 A3L ISO 8677	N309019522	1	KS
13	Screw M 6X20	N309503548	2	KS
14	Nut M 12	N311129505	1	KS
15	Lock ring 19	N311733607	1	KS
16	Nut M 6 DIN 6926	N311129525	2	KS
17	Lubricating head MK 6x1	N425111004	1	KS
18	Washer	S532092202053	1	KS
19	Screw M12X40	N309503505	2	KS
20	Washer 12	N311214504	2	KS
21	Nut M 8	N311150503	1	KS
22	WASHER	S532113326353	1	KS
23	Nut M8 DIN 6923 8 Zinc. toothed	N311129520	1	KS
24	Nut M 12 DIN 6923 8 Zinc. toothed	N311129521	2	KS
25	Steering wheel 0-8020-201 UJ2014	N443821011	1	KS
26	Steering-wheel cover 0-8516-201	N532151344	1	KS

Model: KIJ5A-22-0006

Group: KIJ06-21-0002

Mowing lifting UJ



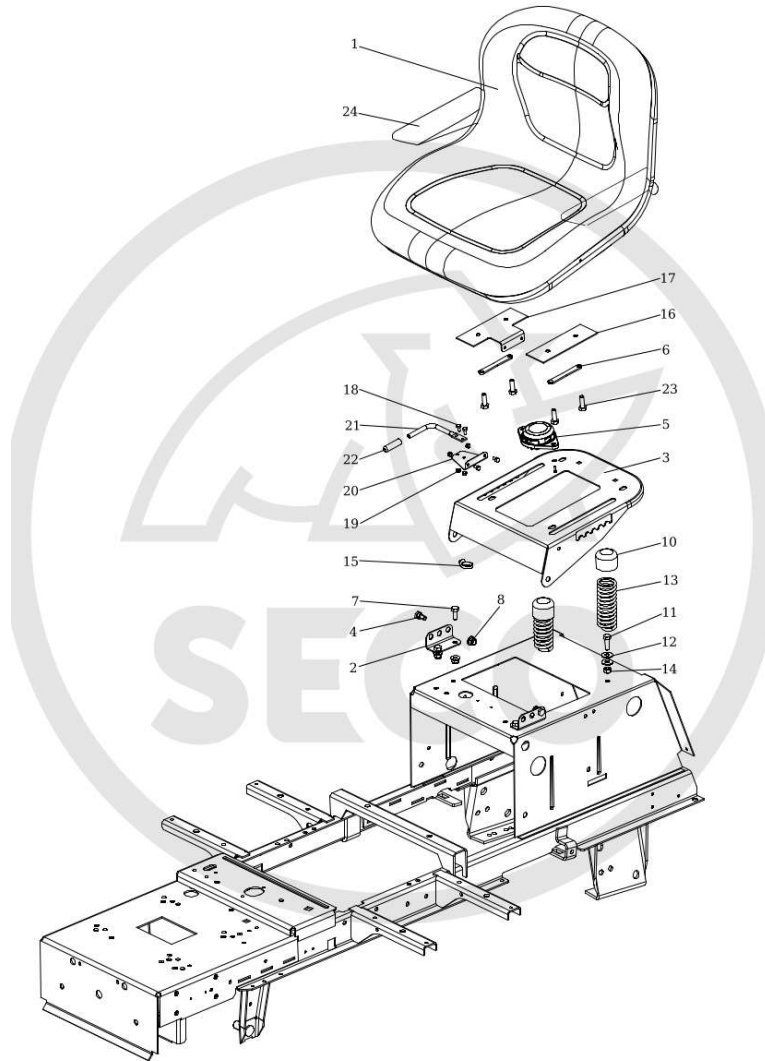
katalog 9-0061-237
pro katalog 9-0061-239 odmazat urcite pozice

ID	Name	Item code	No.	UOM
1	Lifting arms UJ	S532980508293	1	KS
2	Case 0-9462-203	N722643024	2	KS
3	Washer 17	N311210507	1	KS
4	Spindle 3.2x25	N311338517	2	KS
5	Lever holder	S532113415563	1	KS
6	WASHER	S532092212293	3	KS
7	Lifting lever	S532980412183	1	KS
8	Handrail 0-8832-202	N532151357	1	KS
9	Spring 0-9746-504 lifting	N315231265	1	KS
10	Holder	S532080503673	1	KS
11	Lifting segment 1to1	S532113422253	1	KS
12	Screw M8X20	N309503518	4	KS
13	Lifting holder	S532913413323	1	KS
14	Lifting rod 0-8041-201 UJ	N532151358	1	KS
15	Lifting rod 0-8041-346	N532151359	2	KS
	Pin	S532090162083	2	KS
17	Spacer	S532095213823	2	KS
18	Nut M 10	N311150506	4	KS
19	Lifting tie-rod L	S532980422503	1	KS
20	Lifting tie-rod R	S532980422493	1	KS
21	Lifting shaft UJ	S532938122583	1	KS
22	Pin complete	S532993462343	2	KS
23	Flexible spindle 0-9245-999	N315238003	2	KS
24	Spring 0-9746-460	N315231193	1	KS
25	Washer 9 Zinc	N311212517	2	KS
26	Screw M 8X35	N309503543	3	KS
27	Nut M 8 DIN 6926 8 Zinc	N532150290	2	KS
28	Washer 10.5	N311210504	4	KS
29	Screw	S532090162063	2	KS
30	Lifting arm	S532980322193	2	KS
31	Screw M6X16	N309019507	2	KS
32	Nut M 6 DIN 6926	N311129525	2	KS
33	Lifting backstop 1TO1	S532013322083	1	KS
34	Excentric lever 04232-211108x30	N532151360	1	KS
35	Lifting arm R	S532980508313	1	KS
36	Lifting arm L	S532980508303	1	KS
37	Lifting arm spring	S532980365413	1	KS
38	Spring 0-9746-507 Lifting	N315231269	1	KS
39	Screw M 10x90 DIN 444-4.6	N309510001	1	KS
40	Nut M 10 DIN 6926 Zinc	N311129523	5	KS
41	Spring pin 6x26 ISO 8748	N315238059	3	KS
42	Nut M 14	N311120542	8	KS
43	Washer 15	N311210511	4	KS

44	Not used in this performance	NK00000000	2	KS
45	Screw M 10X30	N309503510	5	KS
46	Nut M 8	N311129501	7	KS
47	Spindle 3.2x20	N311338516	6	KS
48	Nut M 16 DIN 6926	N311129527	3	KS
49	Nut M 10	N311129502	5	KS

Model: KUJ5A-22-0006
Group: KUJ11-22-0004

Hood nr.1 - MILSCO XB180/UJSECO

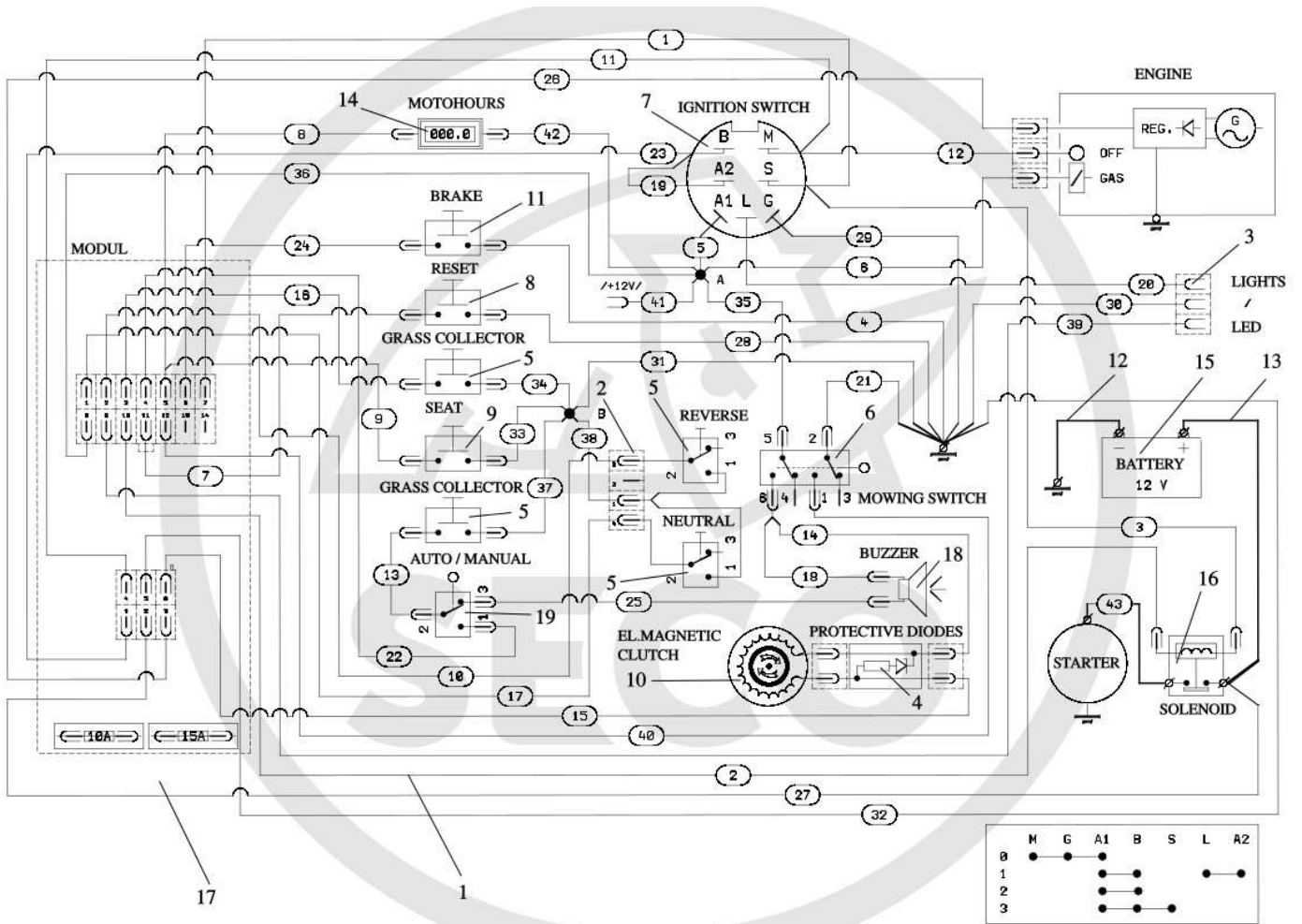


ID	Name	Item code	No.	UOM
1	Seat SP 480 Milsco Seco	N532151621	1	KS
2	Carrier holder	S532113402403B	2	KS
3	Seat carrier	S532018474683	1	KS
4	Carrier screw 0-9016-427	N309599012	2	KS
5	Seat switch DELTA 6500-02	N532150990	1	KS
6	Distance washer	S532092322053	2	KS
7	Screw M 8X25 DIN 6921 8.8 Zinc	N309578011	4	KS
8	Nut M 8 DIN 6926 8 Zinc	N532150290	6	KS
9	Not used in this performance	NK00000000	1	KS
10	Cover 38/A PVC Black	N532150208	2	KS
11	Screw M 8X25	N309503512	2	KS
12	Washer 9 Zinc	N311212517	4	KS
13	Spring 0-9746-441	N315231274	2	KS
14	Nut M 8	N311129501	2	KS
15	Clip WSBH 1-0-1	N532150211	1	KS
16	Seat holder	S532113302013	1	KS
17	Seat holder	S532113402073	1	KS
18	Screw M 5x10	N309203545	4	KS
19	Nut M5	N311129515	4	KS
20	Seat spring	S532097402283	1	KS
21	Seat tie rod 0-8043-310	N532151356	1	KS
22	Cover 8X40 Vinyl-Flex black	N532150209	1	KS
23	Screw M 8x25 DIN 7500 D	N309578540	4	KS
24	Arm rests C 7494 BS	N532150989	1	SD

Model: KIJ5A-22-0006

Group: KIJ13-21-0001

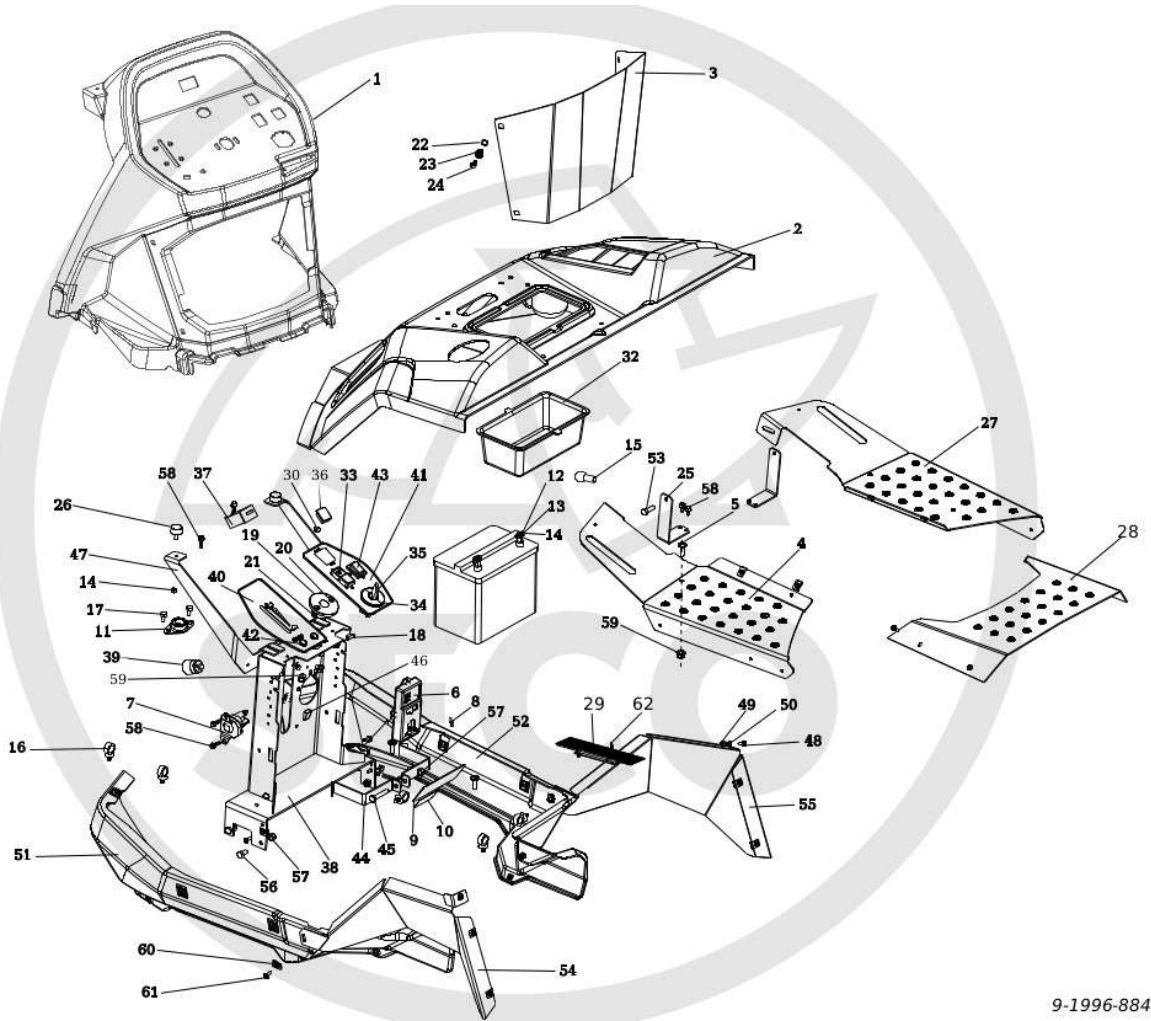
Electrical installation UJ



ID	Name	Item code	No.	UOM
1	Wiring harness KS 004067	N341271186	1	KS
2	Switches harness KS 004081	N341271193	1	KS
3	Lights connection KS004137 1to1	N341271222	1	KS
4	Protective diodes harness 9-8316-	N341271052	1	KS
5	Microswitch MKH 12 D 13-S1	N345359004	4	KS
6	Switch VDD2S001 9ZZCR 100	N345329023	1	KS
7	Switch box Delta 6900-47 P	N443861007	1	KS
8	Switch 1932.3413	N345329025	1	KS
9	Seat switch DELTA 6500-02	N532150990	1	KS
10	Elmag. clutch I-5217-38	N532151196	1	KS
11	Seat switch Delta 6440-04	N000532079	1	KS
12	Cable 9-8316-570	N341271021	1	KS
13	Cable 9-8316-624 solenoid+battery	N341271172	1	KS
14	Hour-meter SEN DEC DIGITAL	N443433003	1	KS
15	Battery 12V-24Ah dry,charged	N346211006	1	KS
16	Solenoid Trombetta 764-1221-210	N532151619	1	KS
17	Module KS 004062 AJ06/14	N341271187	1	KS
18	Buzzer PF 27 A 29 EP	N443312021	1	KS
19	Not used in this performance	NK00000000	1	KS

Model: KIJ5A-22-0006
Group: KIJ15-22-0009

Dashboard 1T01 UJ 2022"BA"



ID	Name	Item code	No.	UOM
1	Dash-board 0-8048-358 1to1 excl.	N532151832	1	KS
2	Double fender 9-1847-326 1to1	N532151833	1	KS
1	Battery cover 1to1	S532085472493	1	KS
4	Foot-floor left/3 1to1	S532018472273	1	KS
5	Screw M 8x25 ISO 7380-2	N309578565	4	KS
6	Module KS 004062 AJ06/14	N341271187	1	KS
7	Solenoid Trombetta 764-1221-210	N532151619	1	KS
8	Rivet 282702	N532151116	2	KS
9	Label 0-8732-336	N283292228	1	KS
10	Label 0-8732-220 slope 12	N283293023	1	KS
11	Ball BEARING FL M12	N324196022	1	KS
12	Screw M 6X20	N309503548	2	KS
13	Washer 6.4	N311210502	2	KS
14	Nut M 6	N311129513	4	KS
15	Cover 273 125 020 050	N273125006	2	KS
16	Clip WSBH 1-0-1	N532150211	9	KS
17	Screw M 8X25	N309503512	2	KS
18	Screw M 5x12 DIN 7500D BN3326	N309578544	1	KS
19	Steering wheel bushing 0-1652-226	N321841069	1	KS
20	Screw M 6X25 DIN7991 10.9 Zinc	N309578503	2	KS
21	Nut M 6 DIN 6926	N311129525	2	KS
22	Ring 10x1,8 NBR SH 80	N273111104	4	KS
23	Seating D7-201-802-010	N532150903	4	KS
24	Pin D7-201-711-010	N532150904	4	KS
25	Foot-floor holder 1TO1 2022	S532113413153	2	KS
26	Silentblock backstop M6x18-25x12	N273192074	2	KS
27	Foot-floor right/3 1to1	S532018472293	1	KS
28	Foot-floor middle/3 1TO1	S532018472303	1	KS
29	Brush cover 9-9636-206	N616100018	1	KS
30	Ring 26x2	N273111038	1	KS
31	Not used in this performance	NK00000000	1	KS
32	Case 0-8642-236	N532151194	1	KS
33	Switch VDD2S001 9ZZCR 100	N345329023	1	KS
34	Switch box Delta 6900-47 P	N443861007	1	KS
35	Starting key DELTA 688P-001	N443900137	1	SD
36	Blind flange VL 35X25X1-3 black	N321841085	1	KS
37	Hour-meter SEN DEC DIGITAL	N443433003	1	KS
38	Steering column UJ	S532916422013	1	KS
39	Buzzer PF 27 A 29 EP	N443312021	1	KS
40	Sticker 1-8732-839 Dash-board 2V	N283293595	1	KS
41	Sticker 1-8732-838 Dash-board R	N283293596	1	KS
42	Light indicator KS004074	N443312023	1	KS
43	Switch 1932.3413	N345329025	1	KS

44	BATTERY HOLDER	S532113425353	2 KS
45	Screw M8x45	N309503559	1 KS
46	Blind flange G 20X15 (europlast)	N321841093	2 KS
47	Panel reinforcement 1TO1	S532113422263	1 KS
48	Screw M 5x16 ISO 7380 8.8	N309578532	2 KS
49	Nut M 5 DIN 6926 Zinc	N311129524	2 KS
50	Washer 5.3	N311212511	2 KS
51	Cover, upper L 0-8547-251 1TO1	N532151834	1 KS
52	Cover, upper L 0-8547-251 1TO1	N532151835	1 KS
53	Screw M8x20 DIN 7500D BN 3326	N309578009	2 KS
54	Fender, rear L 1TO1	S532113422283	1 KS
55	Fender, rear R 1TO1	S532113422293	1 KS
56	Screw M 8X16	N309503517	6 KS
57	Nut M 8	N311129501	7 KS
58	Screw M 6x12 DIN 7500 BN 3326	N309578546	8 KS
59	Nut M 8 DIN 6926 8 Zinc	N532150290	6 KS
60	Shell Nut M5 8366220000	N311101002	18 KS
61	Screw M 5x16 ISO 7380-2 black Zn	N309578566	18 KS
62	Rivet slide-in PH4 D 6.5	N532151003	2 KS

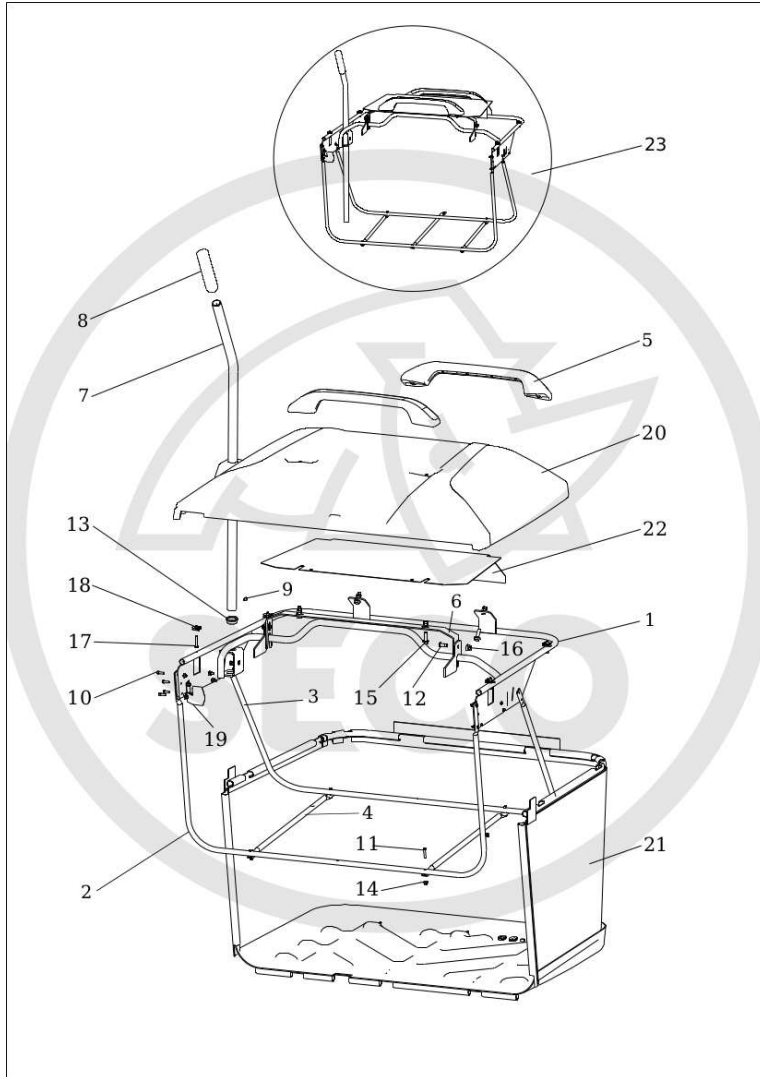
Model:

KUJ5A-22-0006

Group:

KUJ16-22-0001

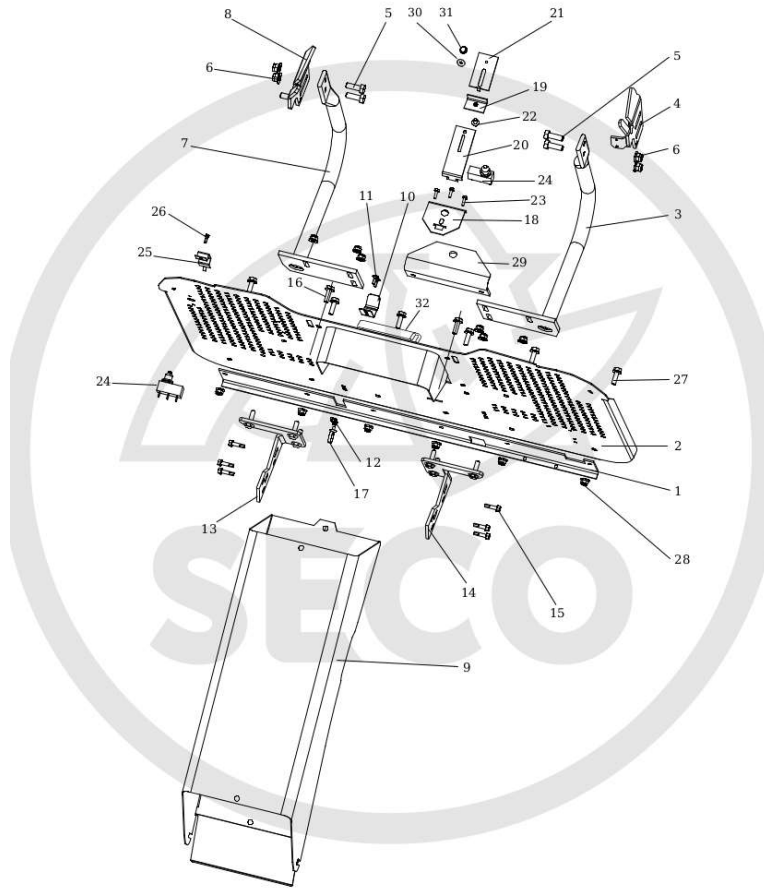
Grasscollector SECO 1TO1



ID	Name	Item code	No.	UOM
1	Frame upper UJ 1to1	S532974472833	1	KS
2	Tube, front 1to1	S532074442383	1	KS
3	Tube, rear 1to1	S532074442393	1	KS
4	Tube connecting	S532074262143	2	KS
5	Handle compl. 9-1346-243	N532151743	2	KS
6	Reinforcement	S532015408543	1	KS
7	Lever Dumping	S532074202013	1	KS
8	Handle 0-8832-203	N532151744	1	KS
9	Screw M 6x10 DIN 7500 D	N309578545	1	KS
10	Screw M 5X16	N309203539	10	KS
11	Bolt M 5X25	N309203557	4	KS
12	Screw M 8X20 BN 1206	N309578535	2	KS
13	Stopper, round 25MMx1 3 MM 111039	N532151505	1	KS
14	Nut M 5 DIN 6926 Zinc	N311129524	14	KS
15	Screw M 8X25 KL 100 RIPP V Zinc	N309503005	4	KS
16	Nut M 8 DIN 6926 8 Zinc	N532150290	2	KS
17	Screw M 5x30 DIN 6921 RIPP	N309578564	4	KS
18	Shell Nut M5 8366220000	N311101002	4	KS
19	Grass box-spring Snapper	S532097402233	1	KS
20	Grass box cover 9-7447-290 1TO1UJ	N532151829	1	KS
21	Grass bag 9-7432-230 320L Seco	N532151738	1	KS
22	Shield, grass-box 1to1	S532085412133	1	KS
23	BAL. Č.2-235 ZÁSOBNÍK TRÁVY UJ320	S532986022353	1	KS

Model: KIJ5A-22-0006
Group: KIJ17-22-0005

Tunnel

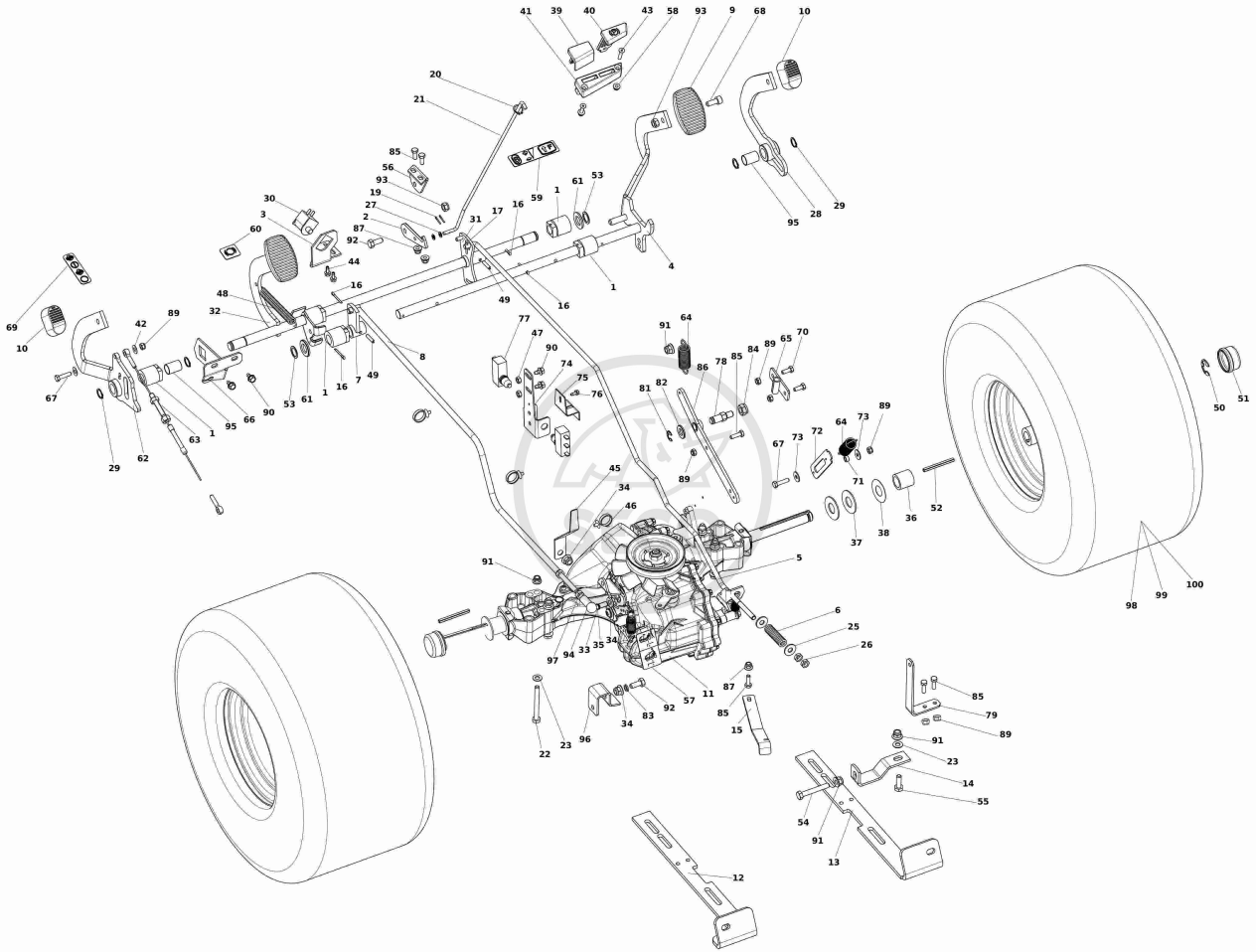


ID	Name	Item code	No.	UOM
1	Reinforcement	S532113403233	1	KS
2	Board compl. 1to1	S532974422483	1	KS
3	Holder left UJ	S532974432523	1	KS
4	Holder left UJ	S532913362033	1	KS
5	Screw M 10X30	N309503510	4	KS
6	Nut M 10 DIN 6926 Zinc	N311129523	4	KS
7	Holder right UJ	S532974432513	1	KS
8	Holder right UJ	S532913362043	1	KS
9	Discharge tunnel UJ102	S532974472723	1	KS
10	Spring	S532097464993	1	KS
11	Screw M 5X16 Zinc	N309019514	2	KS
12	Nut M 5 DIN 6923 8 Zn toothed	N311129532	2	KS
13	Plate holder right	S532913405713	1	KS
14	Plate holder left	S532913405723	1	KS
15	Screw M 6x20 DIN 7500	N309578538	6	KS
16	Screw M8x25 DIN 6921 with teeth	N309578555	2	KS
17	Clip WSBH 1-0-1	N532150211	3	KS
18	Plug plate	S532114302043	1	KS
19	Holder	S532113408353	1	KS
20	Plug plate	S532014417343	1	KS
21	Plug plate	S532014417353	1	KS
22	Screw M 6x10 KL 100 RIPP Zinc	N309503579	2	KS
23	Screw M 6x10 DIN 7500 D	N309578545	3	KS
24	Microswitch MKH 12 D 13-S1	N345359004	2	KS
25	Switch cover	S532085415813	1	KS
26	Screw M 5x12 DIN 7500D BN3326	N309578544	1	KS
27	Screw M 8X25 DIN 6921 8.8 Zinc	N309578011	6	KS
28	Nut M 8 DIN 6926 8 Zinc	N532150290	12	KS
29	Tow hitch	S532113402453	1	KS
30	Control head 0-8060-201	N532151790	1	KS
31	Screw M 6X10	N309503507	1	KS
32	Edging with steel fibre 22-6784-1	N273232022	0	M

Model: KIJ5A-22-0006

Group: KIJ18-22-0011

Drive and brake control UJ



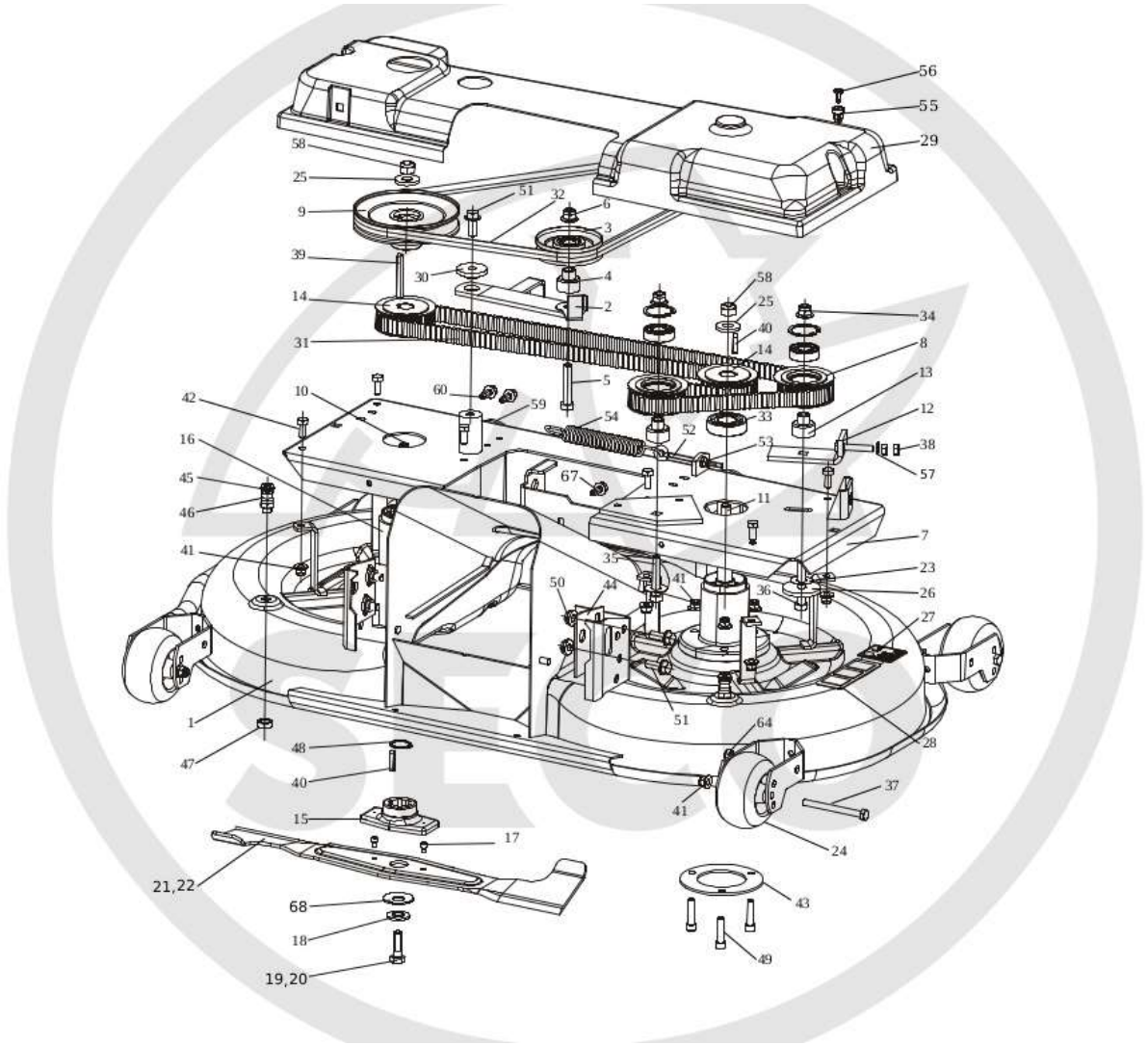
ID	Name	Item code	No.	UOM
1	Case 0-9462-203	N722643024	5	KS
2	Latch	S532037322233	1	KS
3	Switch holder	S532113402693	1	KS
4	Travel lever UJ	S532980442663	1	KS
5	break tie rod 0-8042-205	N532151665	1	KS
6	Spring TLZ 250.150.0530 Zinc	N315231240	1	KS
7	Arm complete	S532980364823	1	KS
8	Travel tie rod	S532980422653	1	KS
9	Foot pedal plastic 0-8051-202	N532151568	2	KS
10	Pedal cover 0-8832-234	N273151013	2	KS
11	PŘEVODOVKA HYDRO GEAR T3A S UZÁVĚ	N532991067	1	KS
12	Plate holder left	S532113408693	1	KS
13	Plate holder right	S532113408703	1	KS
14	Gearbox holder	S532113425343	1	KS
15	bypass rod T3/UJ	S532080422073	1	KS
16	Spindle 3.2x25	N311338517	5	KS
17	Spindle 3.2x20	N311338516	1	KS
18	Not used in this performance	NK00000000	1	KS
19	Spindle 1.6x12	N311338513	3	KS
20	Lock ring 14	N311733004	1	KS
21	Latch tie rod 0-8042-210 1to1	N532151747	1	KS
22	Screw M 8x85	N309501573	4	KS
23	Washer 8.4	N311210503	6	KS
24	Not used in this performance	NK00000000	1	KS
25	Washer 8.4	N311210503	2	KS
26	Nut M 8	N311120520	2	KS
27	Washer 5.3	N311210501	2	KS
28	Reverse pedal UJ	S532980463483	1	KS
29	Ring 16	N311733006	4	KS
30	Seat switch Delta 6440-04	N000532079	1	KS
31	Brake foot complete	S532980365403	1	KS
32	Brake pedal UJ	S532980442653	1	KS
33	Spherical pin 13 DIN 71803 C Zinc	N442073017	1	KS
34	Nut M8 DIN 6923 8 Zinc. toothed	N311129520	2	KS
35	Safety U-strap 13 DIN 71805 S Zin	N442073018	1	KS
36	Spacer	S532195203773	2	KS
37	Washer	S532092208363	6	KS
38	Washer	S532092208153	4	KS
39	Plug,cruise control 0-8066-208	N321841101	1	KS
40	Parking lever 0-8066-206 1to1	N443900160	1	KS
41	Lever holder,cc.&brake 0-8066-207	N443900161	1	KS
42	Washer 6.4	N311210502	2	KS
43	Screw M 5x25 DIN7991 10.9 Zinc	N309578510	2	KS

44	Screw M 5x12 DIN 7500D BN3326	N309578544	2	KS
45	Reset spring	S532097412053	1	KS
46	Clip WSBH 1-0-1	N532150211	1	KS
47	Nut M6	N311150504	2	KS
48	Spring 0-9746-445	N315231161	1	KS
49	Spring pin 5x22 ISO 8748	N315238058	3	KS
50	Lock ring E-75 3/4	N311732023	2	KS
51	Cover 0-8025-237	N532150915	2	KS
52	Key 0-9231-216	N311726099	2	KS
53	Washer 17	N311210507	2	KS
54	Bolt M5x35	N309503556	1	KS
55	Screw M 8X25 DIN 6921 8.8 Zinc	N309578011	1	KS
56	Ratchet holder	S532113408683	1	KS
57	Label 0-8732-523	N283292414	1	KS
58	Nut M 5 DIN 6926 Zinc	N311129524	2	KS
59	Label 0-8732-208 Travel	N283293028	1	KS
60	Label 1-8732-363 Brake	N283293029	1	KS
61	Washer 16X22X1 DIN 988 L 07	N311219496	2	KS
62	Diff-lock pedal UJ	S532980462163	1	KS
63	Diff-lock cable connection	N443900158	1	KS
64	PRUŽINA 0-9746-209	N315231277	2	KS
65	DRŽÁK BOWDENU T3	S532913462213	1	KS
66	Diff-lock & cable holder UJ	S532113402443	1	KS
67	Screw M 6X25	N309503551	1	KS
68	Screw M 8X20	N309543506	2	KS
69	Label 1-8732-401 diff-lock UJ	N283293164	1	KS
70	Screw M6X16	N309503508	2	KS
71	POUZDRO 6.2X10X5 005490000002	N321841099	1	KS
72	PATKA MJ/T3 S UZÁVĚRKOU	S532114322123	1	KS
73	Washer 6.6 Zinc	N311212516	2	KS
74	Switch holder UJ	S532014402173	1	KS
75	Neutral-switch cover	S532014412013	1	KS
76	Screw M 4X8 D 7500 D	N309578507	1	KS
77	Microswitch MKH 12 D 13-S1	N345359004	2	KS
78	Gear pin T3/UJ	S532090162093	1	KS
79	Tie rod footbrake T3/UJ	S532113412563	1	KS
80	Not used in this performance	NK00000000	1	KS
81	SAFETY RING 9	N311732003	1	KS
82	Washer 13	N311210505	1	KS
83	Washer 8	N311214502	1	KS
84	Nut M 10	N311129502	1	KS
85	Screw M 6X20	N309503548	6	KS
86	Lever T3/UJ	S532913302043	1	KS
87	Nut M 6 DIN 6926	N311129525	3	KS
88	Not used in this performance	NK00000000	1	KS

89	Nut M 6	N311129513	7	KS
90	Screw M 6x10 DIN 7500 D	N309578545	4	KS
91	Nut M 8 DIN 6926 8 Zinc	N532150290	7	KS
92	Screw M8X20	N309503518	2	KS
93	Nut M 8	N311129501	5	KS
94	Ball bushing 13 DIN71805B Zinc	N442073016	1	KS
95	Bushing 1625 KU	N323721006	2	KS
96	Holder T3 with diff-lock	S532113422203	1	KS
97	Nut M 8	N311150503	1	KS
98	Wheel rear 20x10.00-8 Grassmaster	N532940165	2	KS
99	Wheel disc 7.00IX8H2 OTR 202180	N325111023	2	KS
100	Tyre rear 20/10x8 Multi trac	N274161024	2	KS

Model: KIJ5A-22-0006
Group: KIJ20-22-0004

Mowing unit



ID	Name	Item code	No.	UOM
1	Blades cover complete	S532950472353	1	KS
2	Holder compl.	S532913424393	1	KS
3	Pulley Compensa C-00237/2	N532150784	1	KS
4	Pulley spacer	S532094212013	1	KS
5	Screw M 10X55	N309203525	1	KS
6	Nut M 10 DIN 6926 Zinc	N311129523	1	KS
7	Main board	S532985423963	1	KS
8	Pulley 28 Z 9-3371-312	N532150836	2	KS
9	Pulley compl. 9-3325-234	N532150165	1	KS
10	Shaft	S532038128033	1	KS
11	Shaft	S532038128023	1	KS
12	Foot compl.	S532914412013	1	KS
13	Pulley spacer	S532094212013	2	KS
14	Pulley 9-3371-277	N532150860	2	KS
15	Flange	S532098212403	2	KS
16	Flange	S532038523833	2	KS
17	Shear Stud 0-9311-736 (100 PCs)	N532980077	4	KS
18	Washer	S532092207493	2	KS
19	Screw 0-9011-283 M10 Left	N309599008	1	KS
20	Screw 0-9011-287 M10	N309599017	1	KS
21	Rotary blade left (102)	S532050422103	1	KS
22	Rotary blade right (102)	S532050422113	1	KS
23	Washer	S532092202133	5	KS
24	Cutting wheel Etop 100-8,2	N532940128	4	KS
25	Washer	S532092207273	2	KS
26	Washer	S532092207533	1	KS
27	Label 0-8732-559 Noise 100 dB	N283292437	1	KS
28	Decal-safety 0-8730-510	N283292121	1	KS
29	Pulley cover 0-8547-206 102	N532151373	1	KS
30	WASHER	S532092212293	1	KS
31	Two-sided toothed belt 1760	N272211006	1	KS
32	V-belt B 17x1425 Li BBT	N272731239	1	KS
33	Bearing 6205 2 RS C 66IB	N324162099	4	KS
34	Nut M 10 DIN 6926 Zinc	N311129523	2	KS
35	Screw M 10X55	N309203525	1	KS
36	Screw M 10X60	N309503577	1	KS
37	Screw M 8X90	N309501567	4	KS
38	Nut M 8	N311150503	2	KS
39	Tongue 6E7x6x63	N311726086	1	KS
40	Key 6E7X6X28	N311726091	3	KS
41	Nut M 8 DIN 6926 8 Zinc	N532150290	16	KS
42	Screw M8X20	N309503518	6	KS
43	Cutting reinforcement	S532098203373	2	KS

44	Cutting foot	S532014417363	2	KS
45	Quick fastener 0-9026-246	N532150533	2	KS
46	Ring 10.78X2.62 NBR 70-SH	N273111057	2	KS
47	Nut M 12	N311120511	2	KS
48	Lock ring 25	N311733014	2	KS
49	Screw M 8X35	N309503543	6	KS
50	Nut M10 RIPP KL 10 BN 2798	N311129522	4	KS
51	Screw M10X25KL100 Ripp. V. DACROM	N309578529	5	KS
52	Screw M 6x80 with eye BN1006 Zinc	N309578523	1	KS
53	Nut M 6 DIN 6926	N311129525	1	KS
54	Spring 0-9746-460	N315231193	1	KS
55	Seating D7-201-802-010	N532150903	2	KS
56	Pin D7-201-711-010	N532150904	2	KS
57	Washer 9 Zinc	N311212517	1	KS
58	Nut M 12	N311129505	2	KS
59	Backstop	S532114322063	2	KS
60	SCREW M 6X16 DIN 7500D BN 3326	N309578517	4	KS
61	Not used in this performance	NK00000000	1	KS
62	Not used in this performance	NK00000000	1	KS
63	Not used in this performance	NK00000000	1	KS
64	Not used in this performance	NK00000000	1	KS
65	Not used in this performance	NK00000000	1	KS
66	Not used in this performance	NK00000000	1	KS
67	Screw M 8x16 DIN 7500 D BN3326	N309578520	2	KS
68	Washer BN 806-40x16.3x2x3.1	N311219503	2	KS

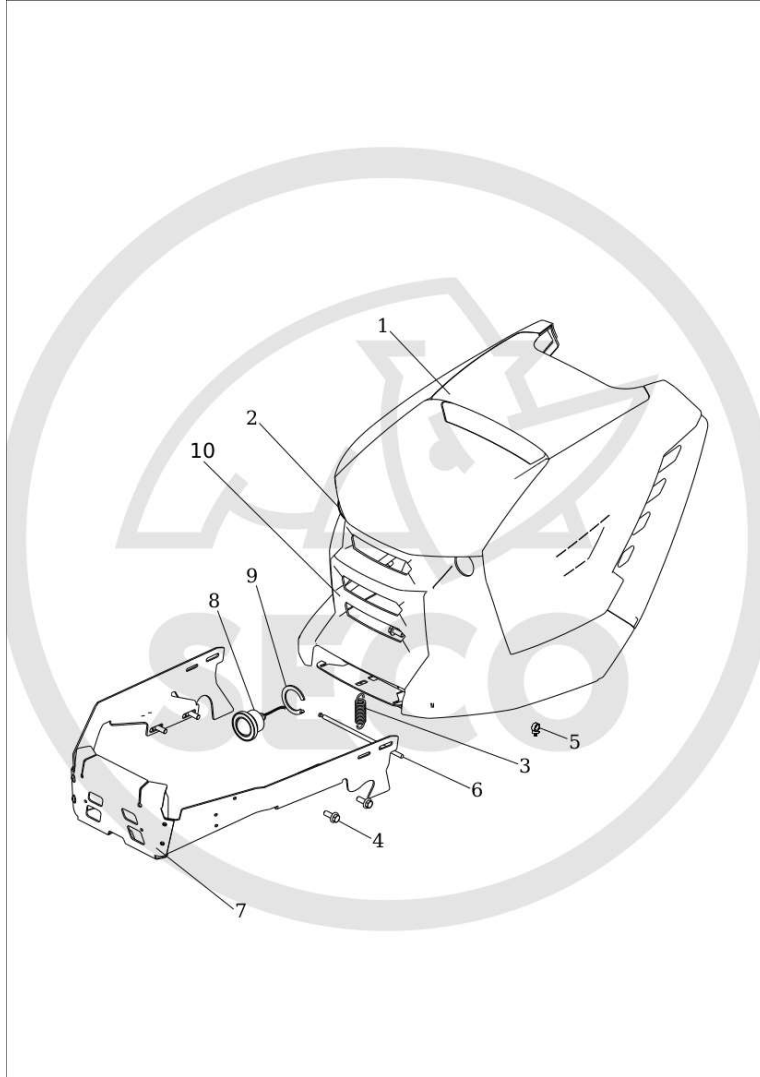
Model:

KUJ5A-22-0006

Group:

KUJ21-22-0002

Engine hood UJ 1T01

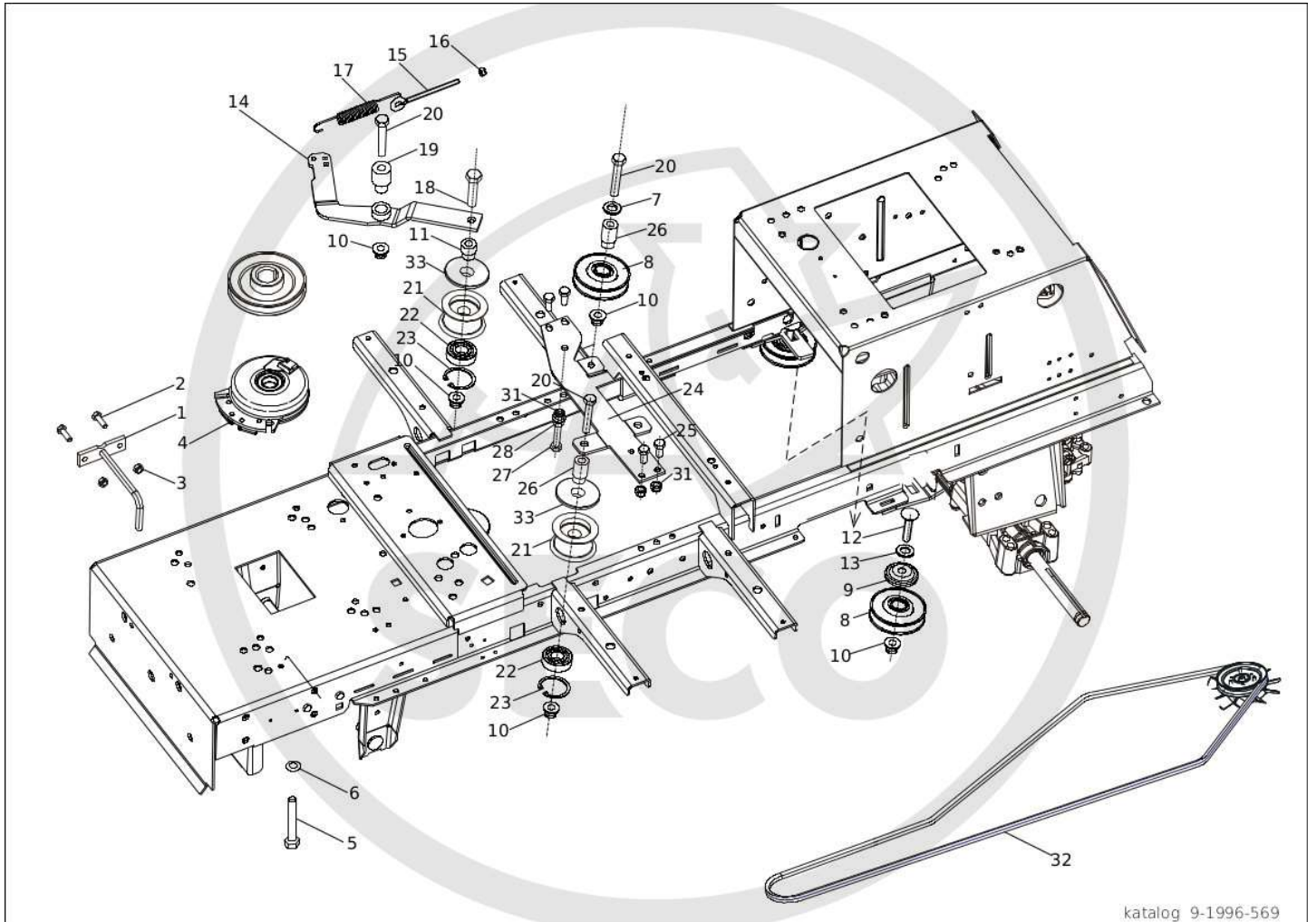


ID	Name	Item code	No.	UOM
1	Hood compl. 9-1849-486 1TO1 2022	N532151826	1	KS
2	Lights connection KS004137 1to1	N341271222	1	KS
3	Spring 0-9746-472	N315231203	1	KS
4	Screw M 10x25 DIN 6921	N309578554	4	KS
5	Clip WSBH 1-0-1	N532150211	3	KS
6	Safety bar	S532013102143	1	KS
7	Bumper design 1TO1 2022 UJ	S532918452203	1	KS
8	Light, main KS004133	N341271220	2	KS
9	Arrestment ring KS004132	N341271221	2	KS
10	Hood grille, front 1TO1 RAL3001	N532151876	1	KS

Model: KIJ5A-22-0006

Group: KIJ22-22-0011

Elmg.Clutch and pulley

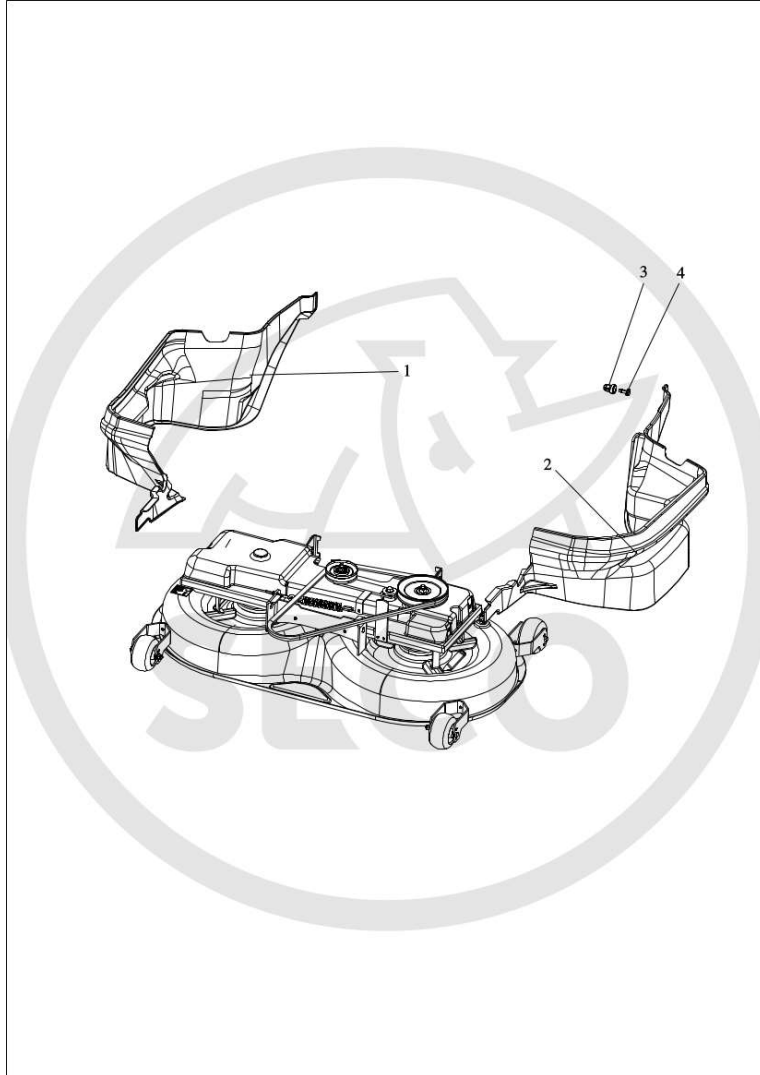


ID	Name	Item code	No.	UOM
1	Clutch stopper	S532936362273	1	KS
2	Screw M 6X20	N309503548	2	KS
3	Nut M 6 DIN 6926	N311129525	2	KS
4	Elmag. clutch I-5217-38	N532151196	1	KS
5	Screw UNF 7/16"X3" 10.9 ZINK	N309579511	1	KS
6	Washer NL 11 glued Dacromet	N311219516	1	KS
7	Washer 10.5	N311210504	1	KS
8	Pulley Compensa C-00237/1	N532150824	3	KS
9	Cover C-00693 Compensa	N532151119	2	KS
10	Nut M 10 DIN 6926 Zinc	N311129523	6	KS
11	Tension pulley case	S532094214533	1	KS
12	Screw M10X45 021319 Zinc	N309019531	2	KS
13	Washer 13	N311210505	2	KS
14	Travel-tension holder	S532913323073	1	KS
15	Screw M 6x80 with eye BN1006 Zinc	N309578523	1	KS
16	Nut M 6	N311129513	1	KS
17	Spring 0-9746-497	N315231270	1	KS
18	Screw M 10x45	N309203544	1	KS
19	Bushing	S532094216023	1	KS
20	Screw M 10X60	N309503577	3	KS
21	Pulley tensioning 9-3325-296	N532151361	2	KS
22	Bearing 6203 2 RS C 66 IB	N324162098	1	KS
23	Lock ring 40	N311733079	1	KS
24	Guide pulley holder	S532113422033	1	KS
25	Screw M8X20	N309503518	4	KS
26	Bushing	S532094214173	2	KS
27	Screw M 8X65	N309501536	1	KS
28	Nut M 8	N311150503	2	KS
29	Not used in this performance	NK00000000	1	KS
30	Not used in this performance	NK00000000	1	KS
31	Nut M 8	N311129501	5	KS
32	V-belt VB 13x2655LI Optibelt	N272731255	1	KS
33	Bearing cover 0-8022-201	N532151639	2	KS

Model: KUJ5A-22-0006

Group: KUJ23-21-0003

Mowing unit no.2 UJ102/122

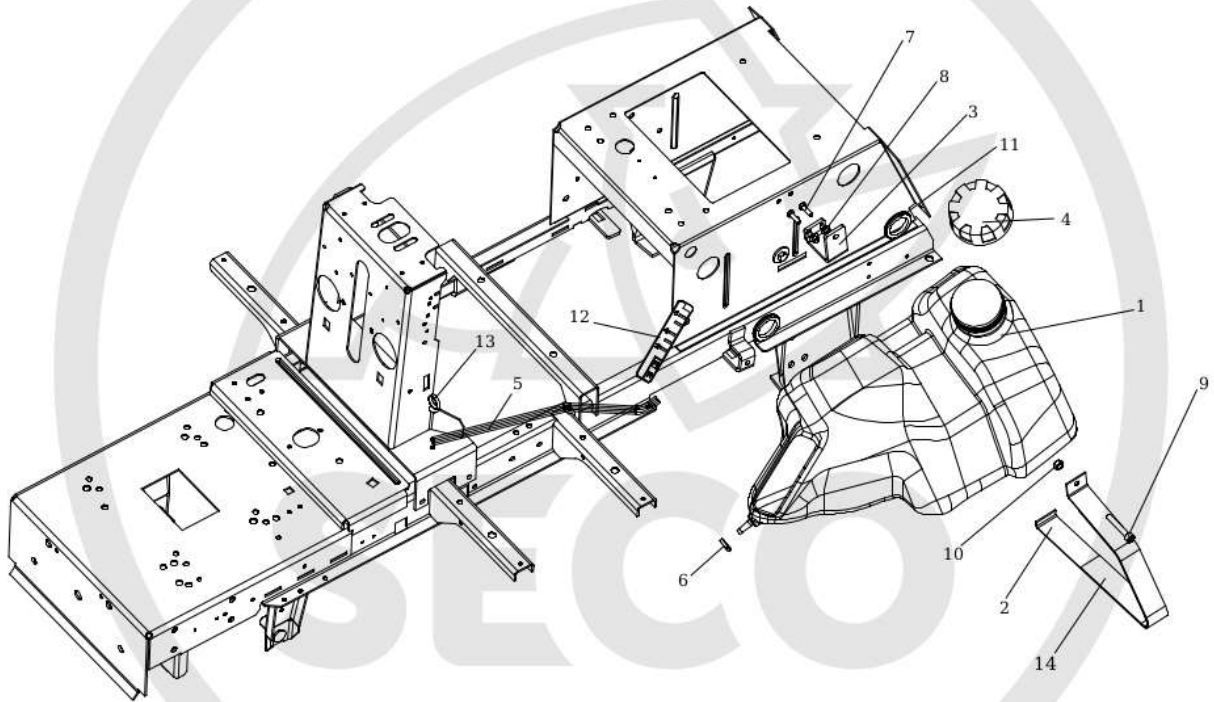




ID	Name	Item code	No.	UOM
1	Belt cover 0-8547-274R UJ102	N532151848	1	KS
2	Belt cover 0-8547-273L UJ102/122	N532151847	1	KS
3	Seating D7-201-802-010	N532150903	10	KS
4	Pin D7-201-711-010	N532150904	10	KS

Model: KIJ5A-22-0006
Group: KIJ25-22-0001

Fuel tank



ID	Name	Item code	No.	UOM
1	Fuel tank 0-2766-201 white/exh.UJ	N232130026	1	KS
2	Tank holder UJ	S532013422073	1	KS
3	HOLDER	S532013425133	1	KS
4	Fuel tank Cap 9-2725-201	N321841017	1	KS
5	Fuel hose for NJ, AJ, UJ	S532986018003	1	KS
6	Clip UM 5008	N000532058	2	KS
7	Screw M 6X20	N309503548	2	KS
8	Nut M 6 DIN 6926	N311129525	2	KS
9	Screw M 8x50 DIN 912 8.8 ZN	N309503574	1	KS
10	Nut M 8	N311129501	1	KS
11	Rubber sleeve 28.5x2	N273121038	2	KS
12	Not used in this performance	NK00000000	1	KS
13	Clip WSBH 1-0-1	N532150211	1	KS
14	Washer 0-8530-609	N273192018	1	KS