

GRASS MOWERS

ZERO-TURN MOWER

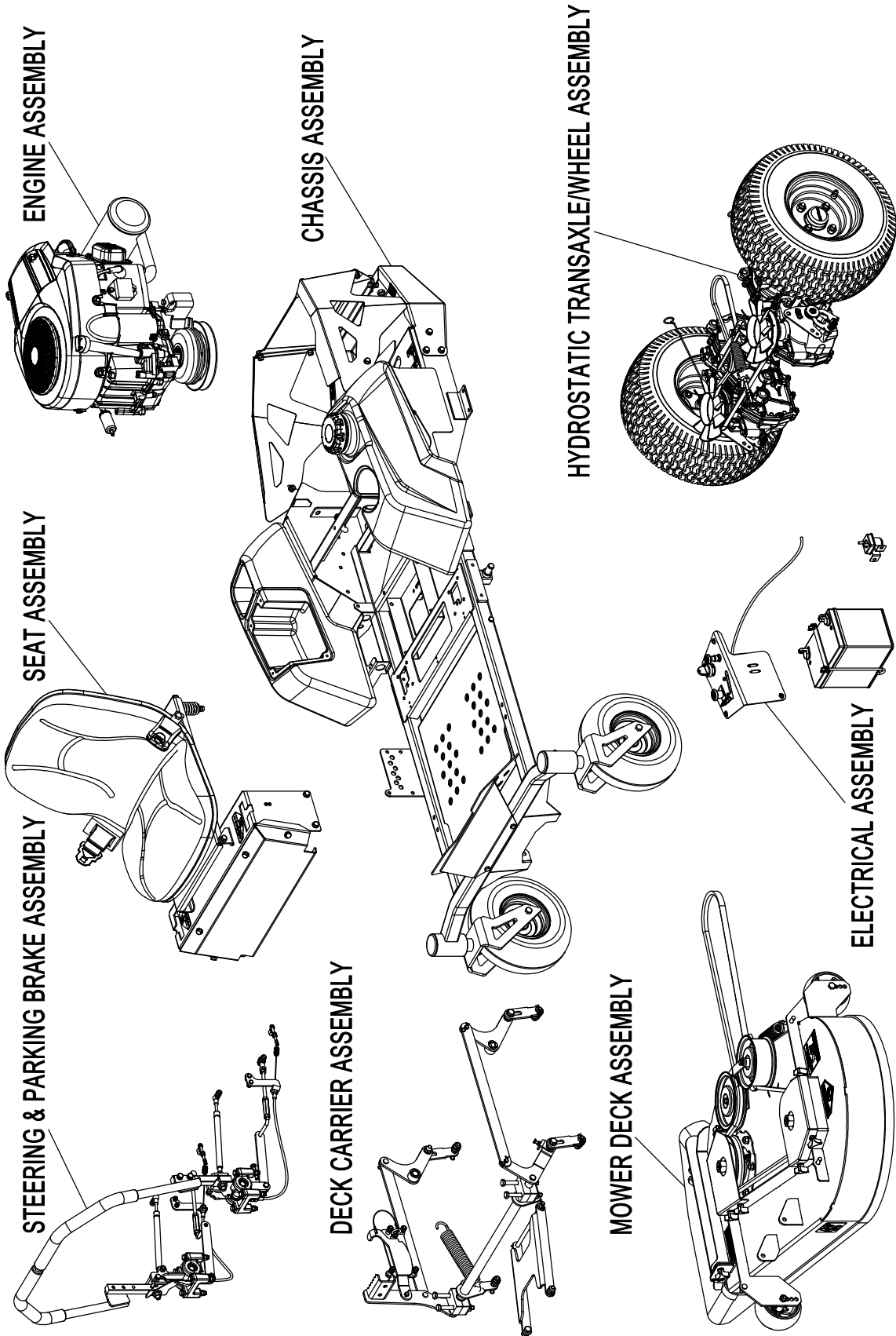
PARTS MANUAL

MODELS:JRZ1 42/48/52

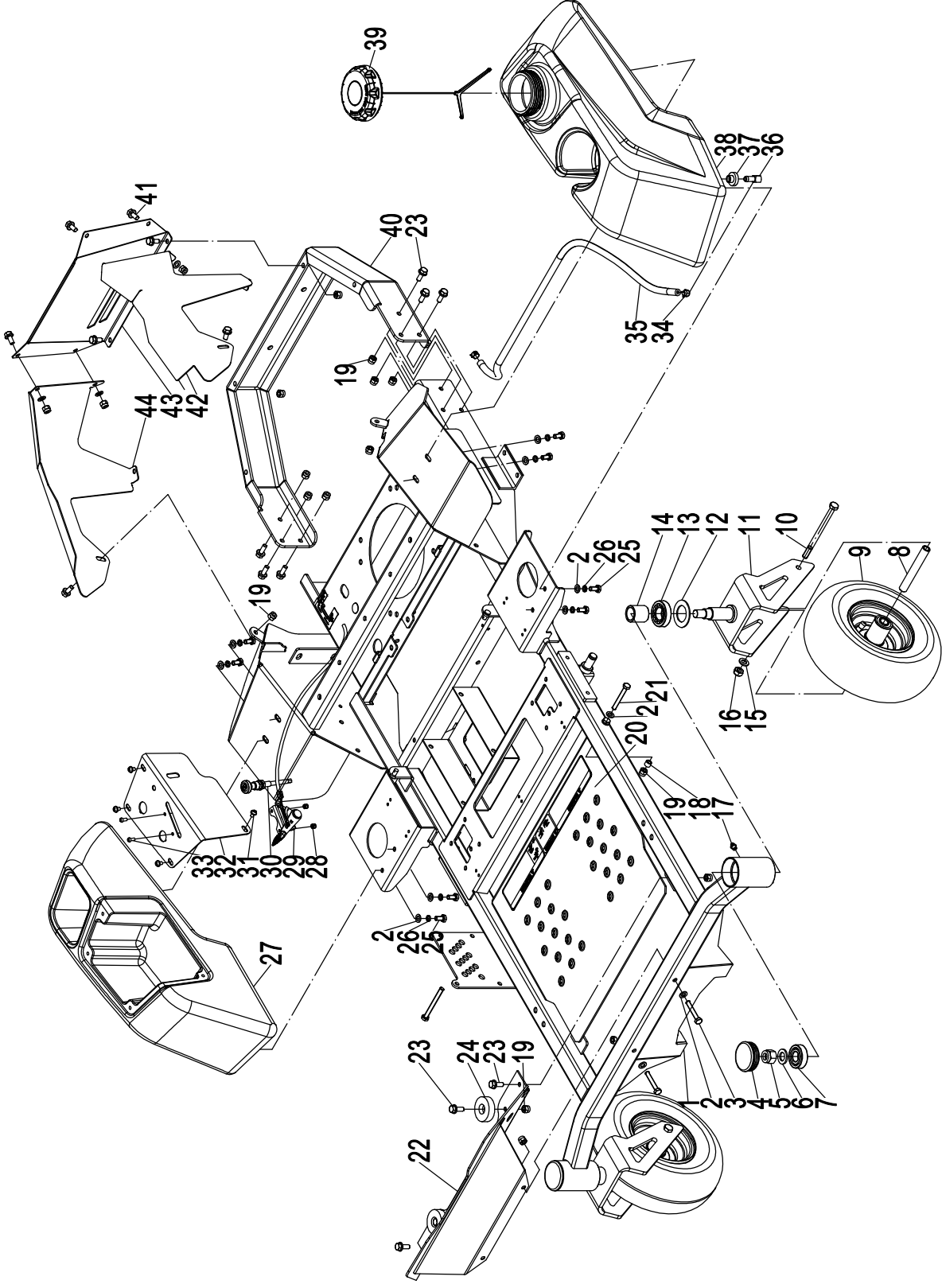
CONTENTS

MOWER ASSEMBLY.....	- 1 -
CHASSIS ASSEMBLY.....	- 2 -
HYDROSTATIC TRANSAXLE/WHEEL ASSEMBLY.....	- 5 -
STEERING ASSEMBLY.....	- 7 -
DECK CARRIER ASSEMBLY.....	- 10 -
SEAT ASSEMBLY.....	- 12 -
ENGINE ASSEMBLY.....	- 14 -
42" MOWER DECK ASSEMBLY.....	- 20 -
48" & 52" MOWER DECKS ASSEMBLY.....	- 23 -
ELECTRICAL ASSEMBLY.....	- 26 -
ACCESSORIES.....	- 28 -
SUN SHADE.....	- 29 -
ELECTRICAL DIAGRAM.....	- 30 -

MOWER ASSEMBLY



CHASSIS ASSEMBLY



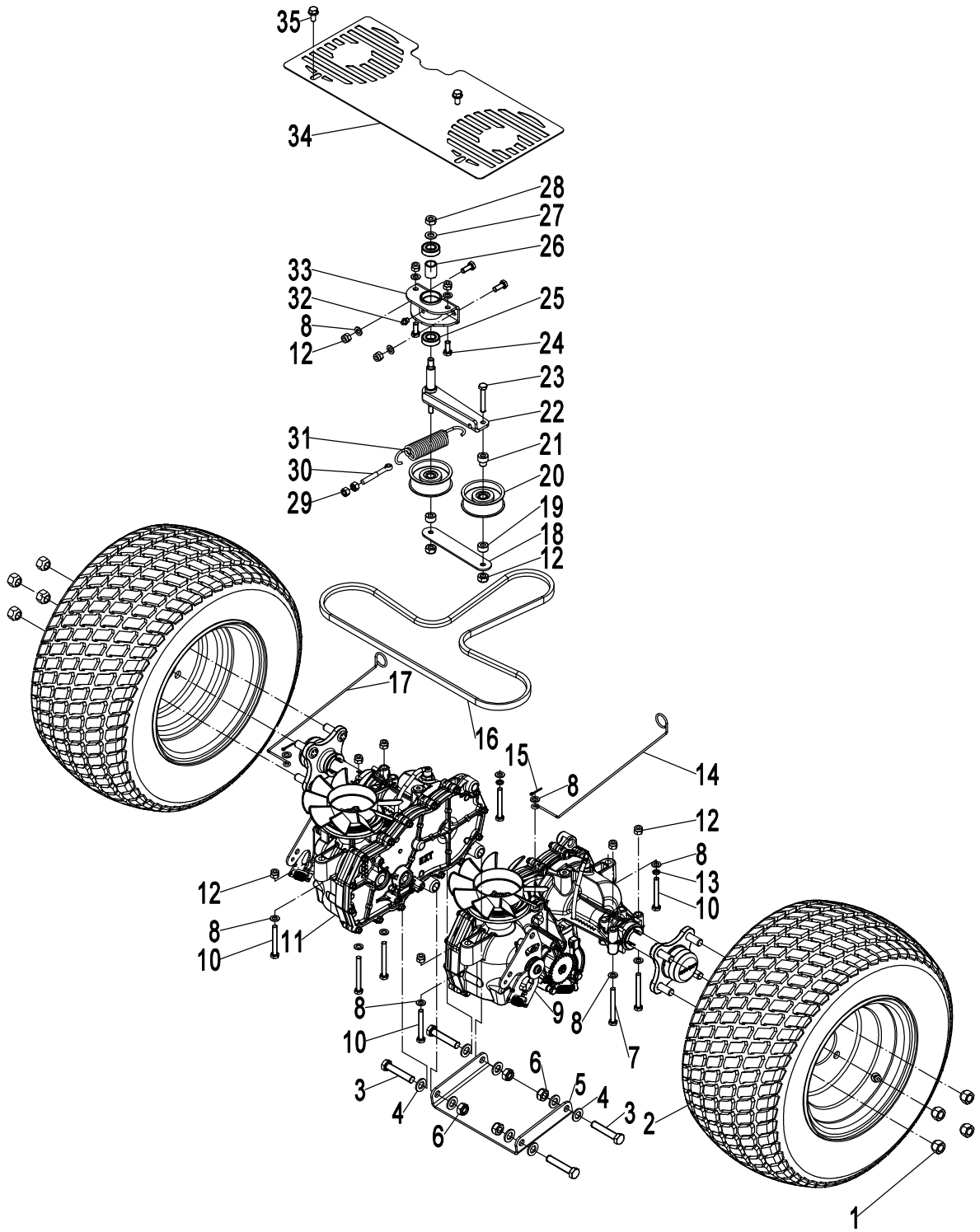
CHASSIS ASSEMBLY

Item No.	Part No.	Name	Description	Qty.	Others
1	4039500	Chassis		1	
2	7030819	Washer	Φ8	12	
3	7010896	Hex Bolt	M8×55	2	
4	2131950	Dust Cap		2	
5	7021640	Lock Nut	M16	2	
6	7031602	Washer	Φ16	2	
7	7060424	Deep Groove Ball Bearing	6204	2	
8	7083820	Spacer		2	
9	8032480	Caster Wheel		2	
10	7011155	Hex Bolt	M10×150	2	
11	4218195	Caster Wheel Fork		2	
12	4065202	Washer		2	
13	7061234	Tapered Roller Bearing	30205	2	
14	7085350	Spacer		2	
15	7031009	Washer	Φ10	2	
16	7021013	Lock Nut	M10	2	
17	7320020	Grease Zerk	M8×1	2	
18	7083590	Spacer		2	
19	7020821	Lock Nut	M8	8	
20	1035100-02	Tread Footrest		1	
21	7010829	Hex Bolt	M8×60	2	
22	1035100-01	Front Strut		1	
23	7010820	Hex Flange Bolt	M8×20	10	
24	5040940	Seat Isolator		2	
25	7010847	Hex Bolt	M8×16	8	
26	7040802	Lock Washer	Φ8	8	
27	2080880	Rotational Shield		1	
28	7020505	Lock Nut	M5	2	
29	5072860	Throttle box		1	
30	5072870	Choke Control		1	
31	7260601	Cross Recess Head Screw	M6×12	4	
32	6063703	Console		1	
33	7260531	Cross Recess Head Screw	M5×16	2	
34	7150170	Hose Clamp-Spring		2	
35	2114630	1/4"Fuel Line		1	
36	2133770	Suction Elbow		1	
37	7083440	Bushing-Fuel Tube		1	
38	2080870	Fuel Tank		1	

CHASSIS ASSEMBLY

Item No.	Part No.	Name	Description	Qty.	Others
39	2081030	EPA Fuel Cap		1	
40	4033255-01	Shield/Rear		1	
41	7010894	Hex Flange Bolt	M8×16	10	
42	3050558	Left Rear Shield		1	
43	3050557	Shield/Rear		1	
44	3050556	Right Rear Shield		1	

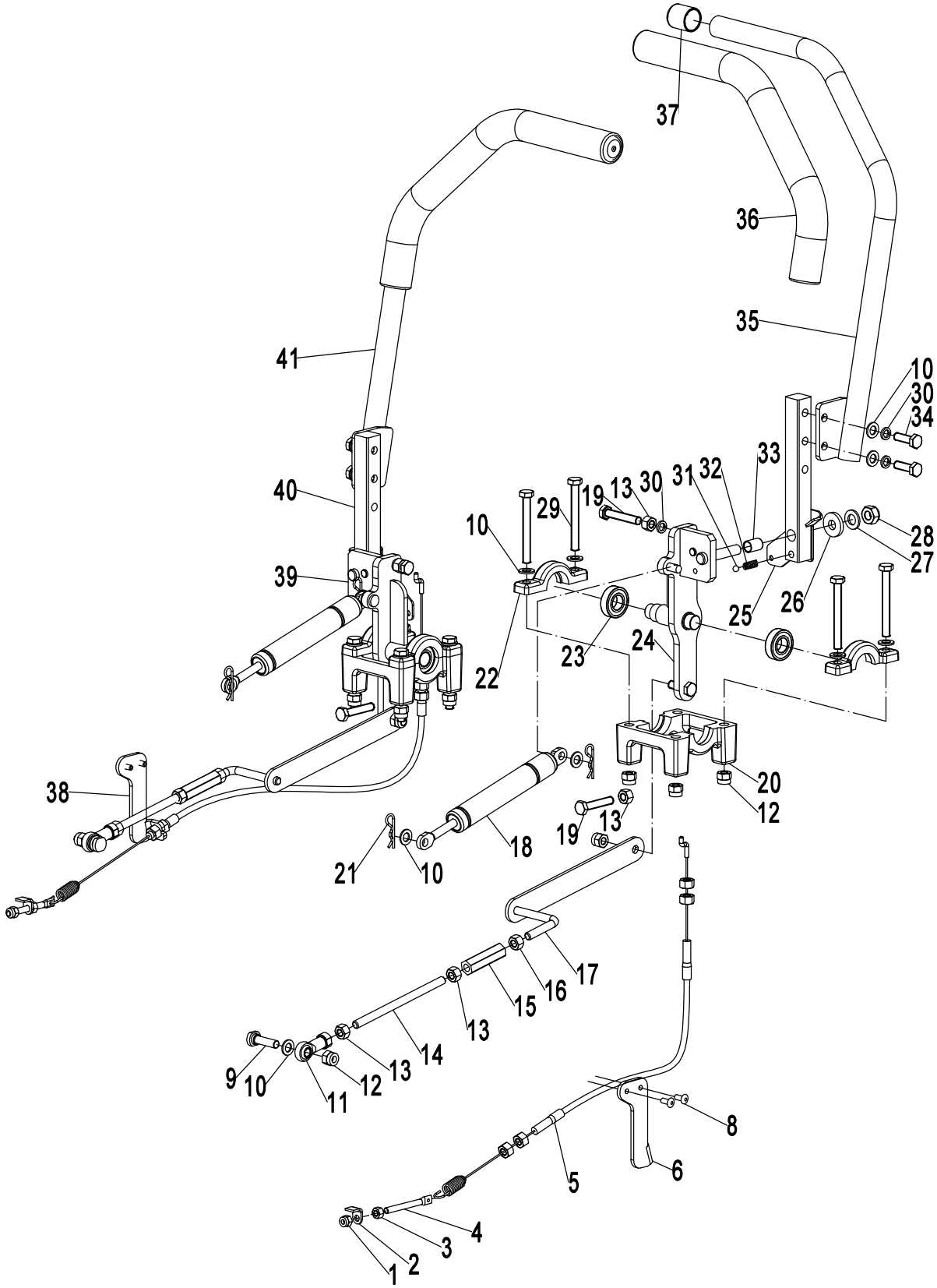
HYDROSTATIC TRANSAXLE/WHEEL ASSEMBLY



HYDROSTATIC TRANSAXLE/WHEEL ASSEMBLY

Item No.	Part No.	Name	Description	Qty.	Others
1	7010072A	Inch Wheel Hub Nut	1/2-20 UNF-2B	8	
2	8032470	Tire		2	
3	7011240	Hex Bolt	M12×60	4	
4	7031221	Washer	Φ12	4	
5	4052230	Drive fixing plate		1	
6	7021226	Lock Nut	M12	4	
7	7010880	Hex Bolt	M8×70	4	
8	7030819	Washer	Φ8	10	
9	1080230	Hydrostatic Transaxle , Lt	2200	1	
10	7010829	Hex Bolt	M8×60	4	
11	1080220	Hydrostatic Transaxle , Rt	2200	1	
12	7020821	Lock Nut	M8	12	
13	7040802	Lock Washer	Φ8	2	
14	4045990	Left tendril		1	
15	7130202	pin		2	
16	1051180	A61 Belt		1	
17	4045980	Right tendril		1	
18	4124430	Drive Belt stripper		1	
19	7085390	Spacer		2	
20	1040671	Tension wheel		2	
21	7085410	Spacer		1	
22	4018790	Welding of tension swing Rod		1	
23	7010822	Hex Bolt	M8×50	1	
24	7010888	Hex Bolt	M8×20	4	
25	7060019	Deep groove ball bearing	6002	2	
26	7085400	Spacer		1	
27	7031009	Washer	Φ10	1	
28	7021013	Lock Nut	M10	1	
29	7020819	Hex Flange Nut	M8	2	
30	7290802	Joint Bolt	M8×50	1	
31	7059600	Idler Pulley Spring		1	
32	7320020	Grease Zerk	M8×1	1	
33	4018800	Bearing seat welding		1	
34	4039490	Transaxle/Shield Panel		1	
35	7010894	Hex Flange Bolt	M8×16	2	

STEERING ASSEMBLY



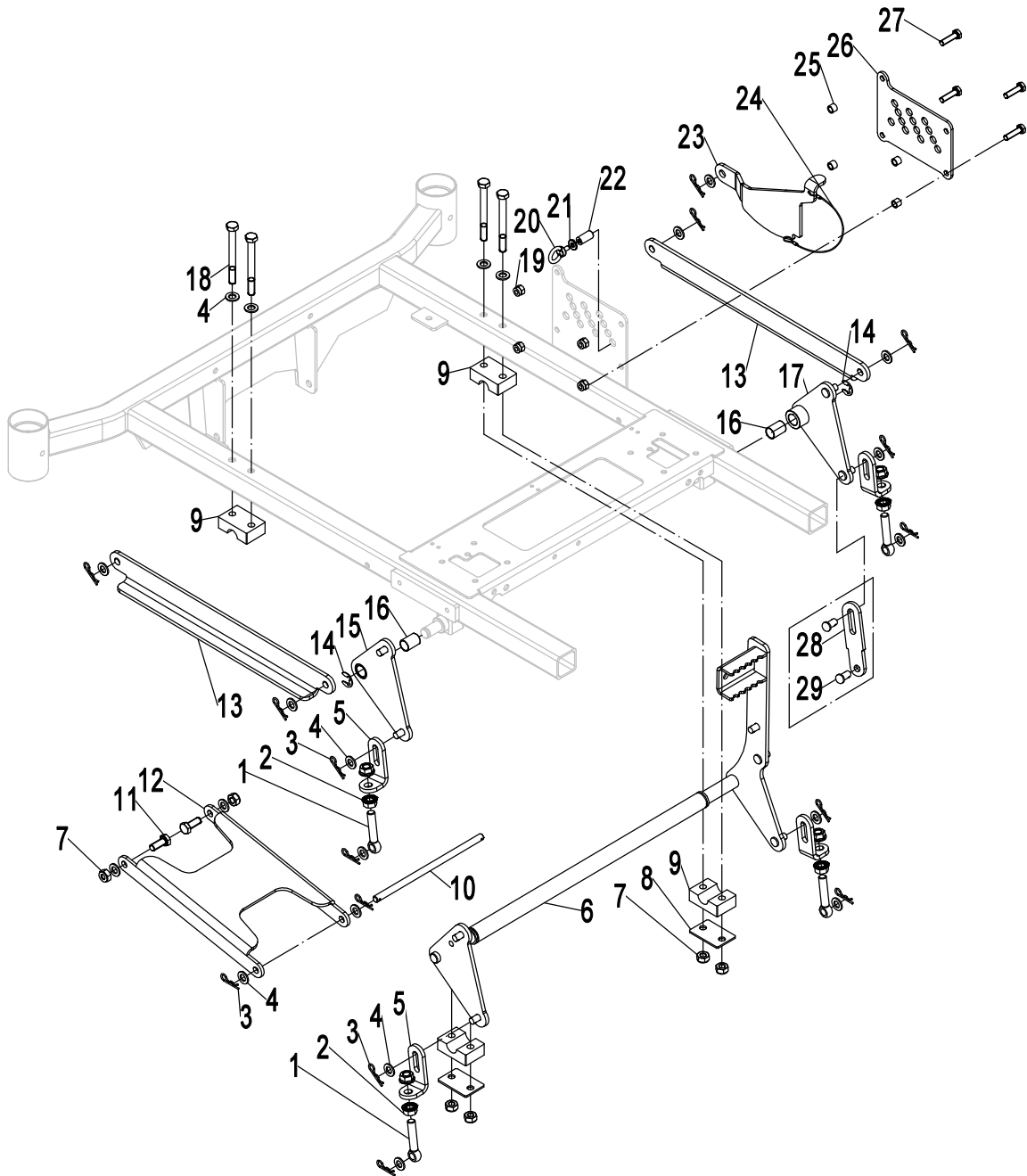
STEERING ASSEMBLY

Item No.	Part No.	Name	Description	Oty.	Others
1	7020630	Hex Lock Nut	M6	6	
2	4163470	Limit Gasket		2	
3	7020604	Hex Nut	M6	2	
4	7282006	Drive brake connecting screw		2	
5	5072850	Brake Linkage		2	
6	4269800	Right brake line fixing plate		1	
7	7010667	Hex Bolt	M6×20	4	
8	7230505	Rivet	4.8×12	4	
9	7181630	Bolt joint	M8	2	
10	7030819	Washer	Φ8	14	
11	7121004	Joint Bearing RH/Rod End	M8	2	
12	7020821	Hex Lock Nut	M8	14	
13	7020804	Hex Nut	M8	8	
14	7292008	Straight draw bar		2	
15	7292009	Rotary casing		2	
16	7020860	Hex Nut	M8-L	2	
17	4021590	Welding of bending tie Rod		2	
18	2020450	Damper		2	
19	7010826	Hex Bolt	M8×45	4	
20	4133431	Bearing Pedestal		2	
21	7130208	R Pin		4	
22	4163010	Bearing Cap		4	
23	7060014	Bearing	6002-2RS	4	
24	4269820	Motion Pivot/RH		1	
25	4301240	Control Arm /RH		1	
26	7083540	Plastic Washer		2	
27	7031009	Washer		2	
28	7021013	Hex Lock Nut	M10	2	
29	7010880	Hex Bolt	M8×70	8	
30	7040802	Lock Washer	Φ8	2	
31	5060601	Steel Ball	6	2	
32	7057560	Operating Stop Spring		2	
33	7083810	Bearing w/Flange		2	
34	7010821	Hex Bolt	M8×25	4	
35	4013030	Steering Handle RH		1	
36	5013320	Handle Grip- Foam		2	
37	2132050	Vinyl Cap		2	
38	4269790	Left brake line fixing plate		1	

STEERING ASSEMBLY

Item No.	Part No.	Name	Description	Oty.	Others
39	4269810	Motion Pivot/LH		1	
40	4301230	Control Arm /LH		1	
41	4013010	Steering Handle LH		1	

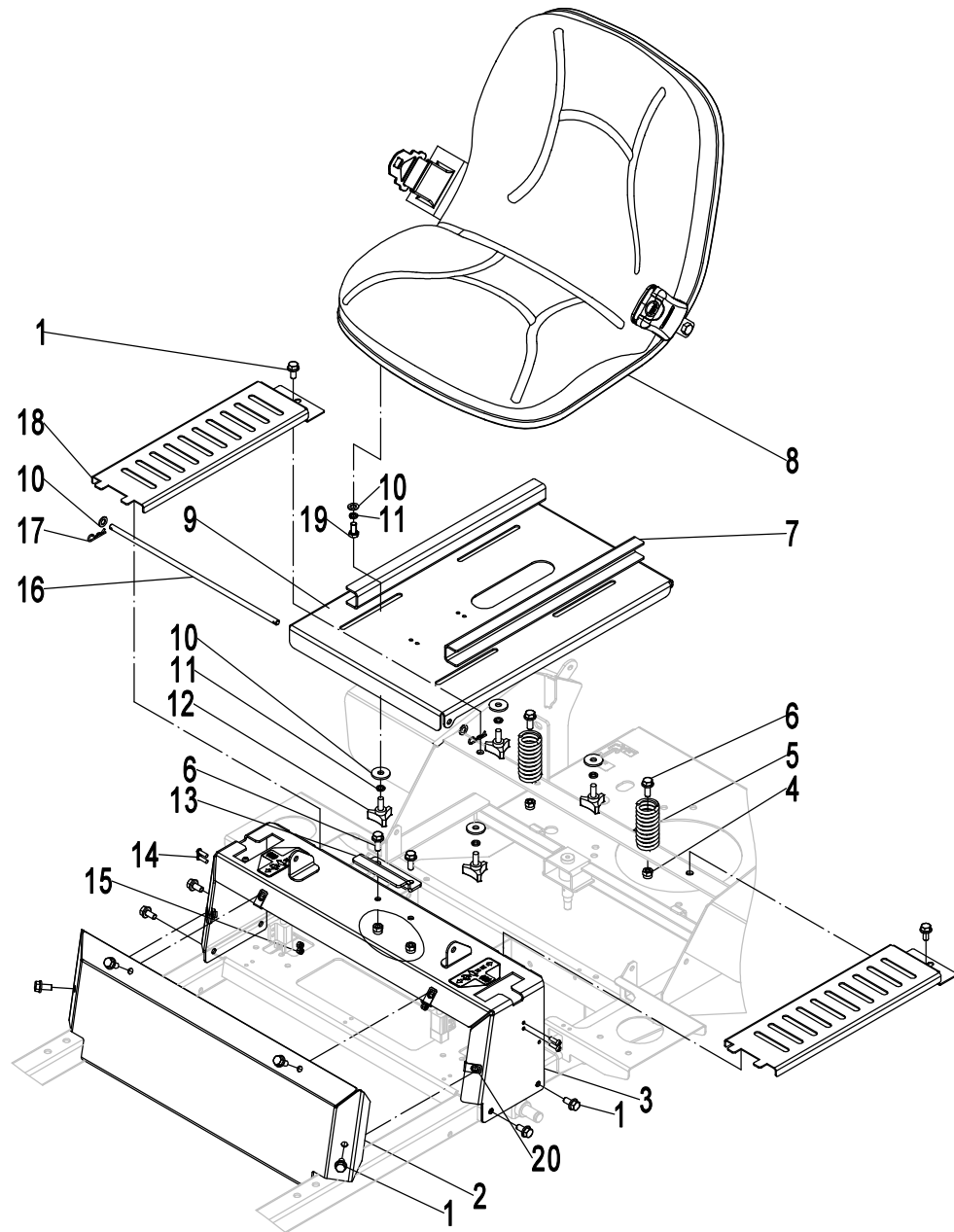
DECK CARRIER ASSEMBLY



DECK CARRIER ASSEMBLY

Item No.	Part No.	Name	Description	Oty.	Others
1	7291260	Joint Bolt	M12×60	3	42"
				4	48"/52"
2	7021222	Hex Flange Nut	M12	6	42"
				8	48"/52"
3	7130208	R Pin		15	
4	7031009	Washer	Φ10	21	
5	5092090	CUTTERHEAD Lug		3	42"
				4	48"/52"
6	4058190	Lift Lever		1	
7	7021013	Hex Lock Nut	M10	6	
8	4151750	Lift Bearing Lower Plate		2	
9	4310210	Lift Bearing Block		4	
10	1013990	Long Axis		1	
11	7011016	Hex Bolt	M10×25	2	
12	4151891	Cutterhead hanger		1	
13	4058200	Pendulum link		2	
14	7141203	Snap Ring	Φ12	2	
15	4053620	Deck Rocker LH		1	
16	7121800	Self-lubricating bearing		2	
17	4053610	Deck Rocker RH		1	
18	7011151	Hex Bolt	M10×100	4	
19	7020821	Hex Lock Nut	M8	4	
20	1035104	Ring Bolt		1	
21	5030044	Ring Magnet	16×7×2	1	
22	1035105	Pin Shaft		1	
23	4058210	Height limiting plate		1	
24	4170165	Wire Rope	1.5-270	1	
25	7083590	Spacer		4	
26	4046000	Turn up the gear board		1	
27	7010821	Hex Bolt	M8×25	4	
28	5092120	CUTTERHEAD Lug		1	42"
29	7131004	Pin Shaft	B10×20×3.2×15. 5	2	42"
				1	48"/52"

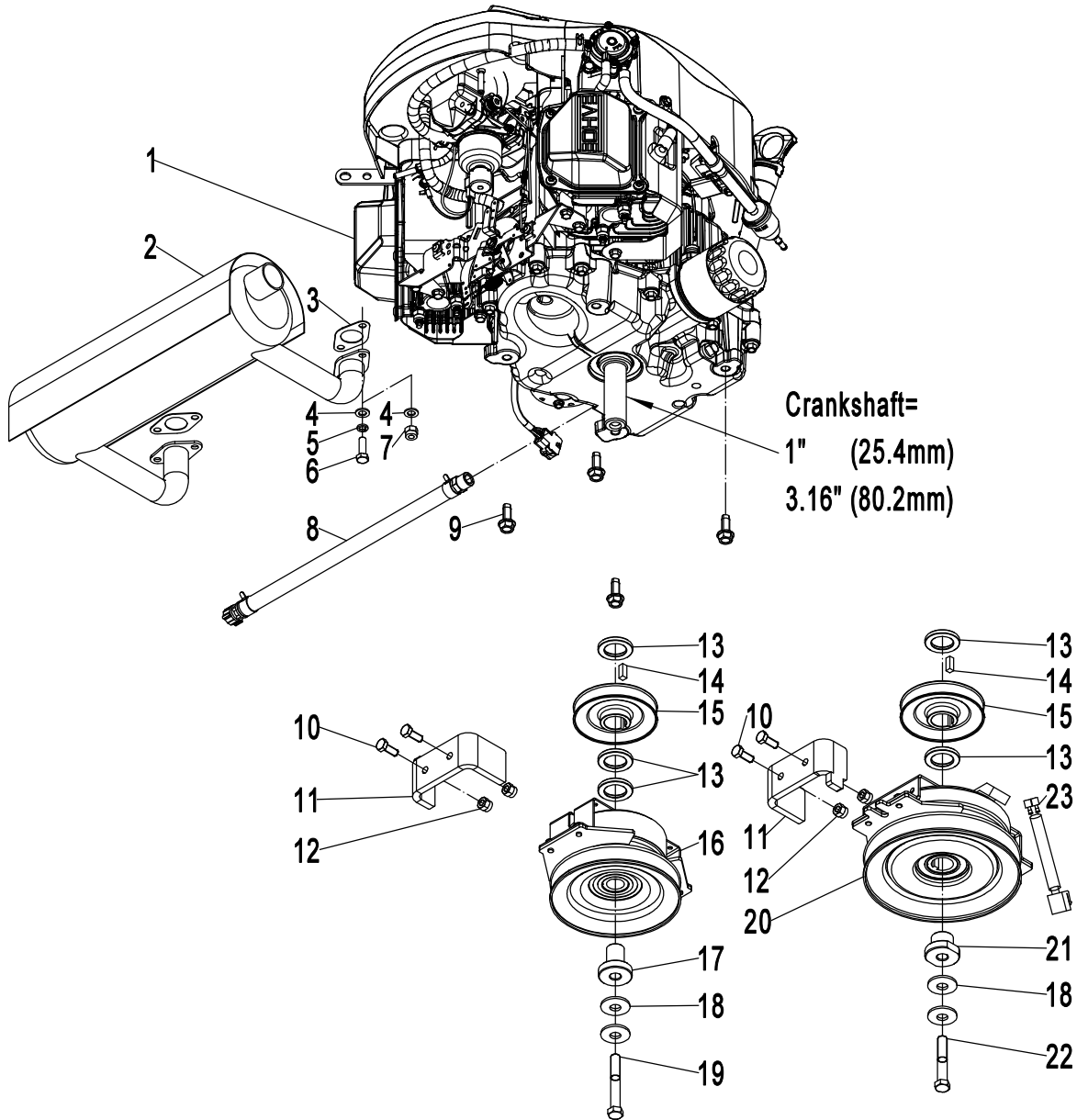
SEAT ASSEMBLY



SEAT ASSEMBLY

Item No.	Part No.	Name	Description	Oty.	Others
1	7010894	Hex Flange Bolt	M8×16	10	
2	4064276	Front Plate		1	
3	4060325	Seat Bottom Front Fender		1	
4	7020821	Hex Lock Nut	M8	6	
5	7059380	Seat Spring		2	
6	7010820	Hex Flange Bolt	M8×20	4	
7	4261570	Seat fixing seat welding		2	
8	5080010	Seat		1	
9	4060335	Seat Plate		1	
10	7030819	Washer	Φ8	12	
11	7040802	Lock Washer	Φ8	8	
12	4011930	Knob	M8×20	4	
13	4221030	Seat stop		1	
14	7260531	Cross Recess Head Screw	M5×16	4	
15	7020505	Hex Lock Nut	M5	4	
16	1014340	Connecting shaft		1	
17	7130202	R pin		2	
18	4060345	Side Baffle		2	
19	7010847	Hex Bolt	M8×16	4	
20	7020820	Type B leaf spring nut	M8	4	

KOHLER



Crankshaft=
 1" (25.4mm)
 3.16" (80.2mm)

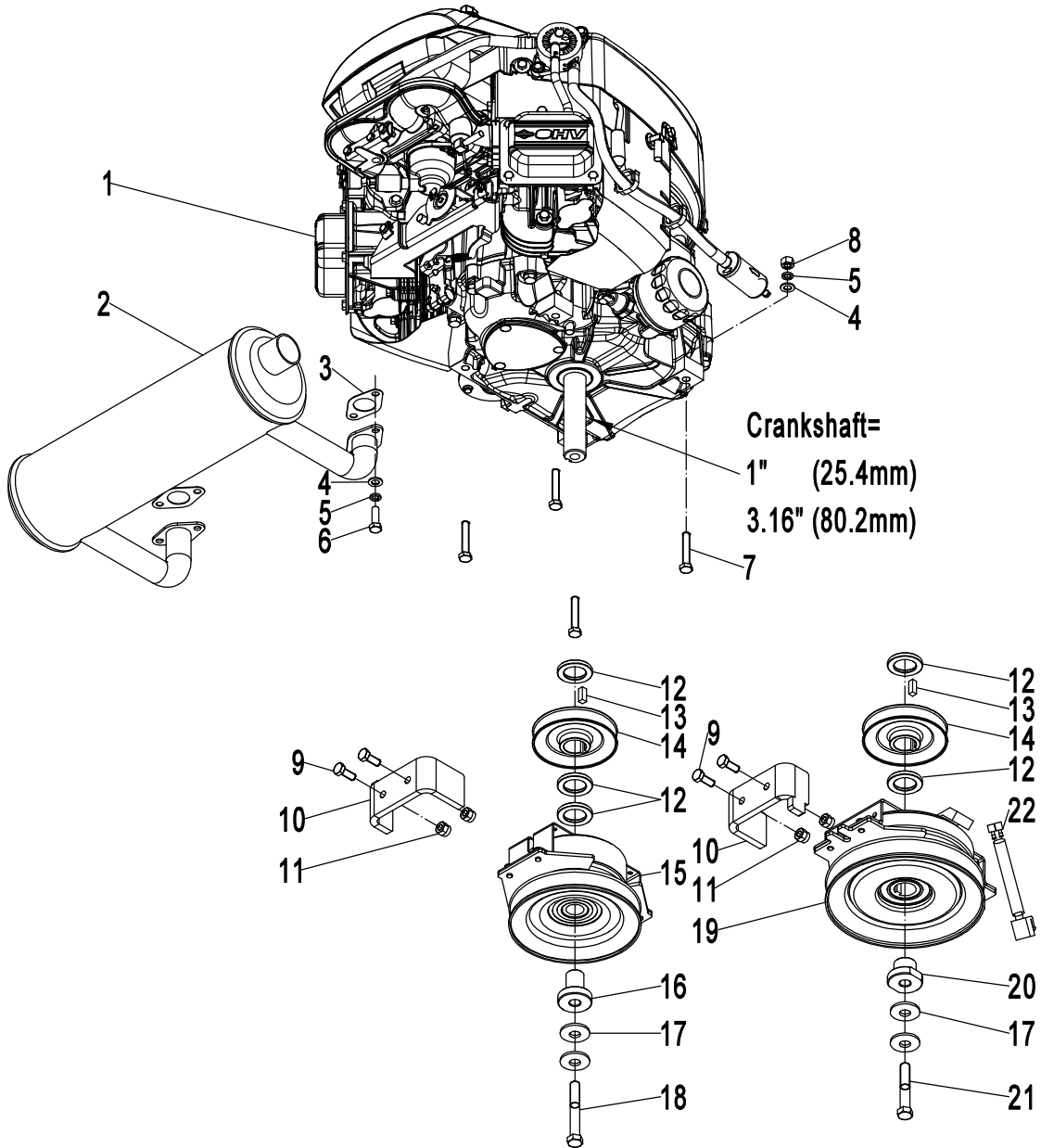
42" Mower

48"/52" Mower

ENGINE ASSEMBLY

Item No.	Part No.	Name	Description	Oty.	Others
1	2503730	KOHLEER ENGINE	KT730	1	
	2503740		KT740	1	
2	4090015	Engine Silencer		1	
3	7220810	Engine Muffler Gasket		2	
4	7030819	Washer	Φ8	4	
5	7040802	Lock Washer	Φ8	4	
6	7010036A	Inch Bolt	5/16-18×1	4	KT730
7	7020804	Hex Nut	M8	4	KT740
8	292980115 -0001	Drain Pipe		1	
	110950004 -0001	Drain connection		1	
9	7010018A	Self tapping bolt		4	
10	7010821	Hex Bolt	M8×25	2	
11	4221320	Clutch stop		1	
12	7020821	Hex Lock Nut	M8	2	
13	4124390	Spacer		3	42"
				2	48"/52"
14	7110608A	Key	6.35×6.35×30	1	
15	1041880	A97 Pulley		1	
16	7101430	Electromagnetic PTO Clutch		1	42"
17	4124400	Clutch Sleeve		1	
18	4071060	Clutch Plate		2	
19	7010075A	Inch Bolt	7/16-20×3	1	
20	7101440	Electromagnetic PTO Clutch		1	48"/52"
21	4124420	Clutch Sleeve		1	
22	7010071A	Inch Bolt	7/16-20×2 1/2	1	
23	9054890	Transfer Harness		1	48"/52"

BRIGGS & STRATTON



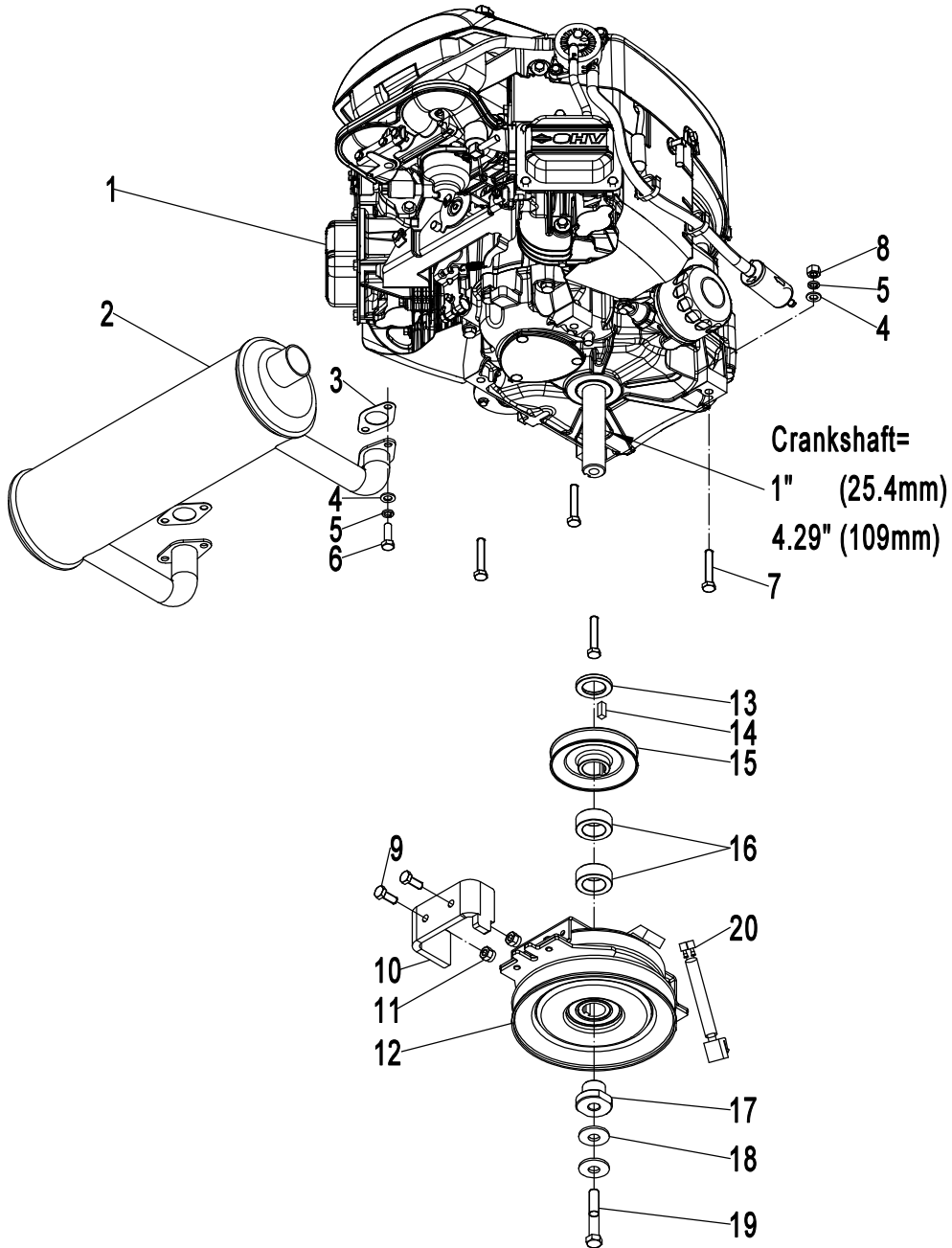
42" Mower

48"/52" Mower

ENGINE ASSEMBLY

Item No.	Part No.	Name	Description	Oty.	Others
1		B&S ENGINE		1	
2	4090015	Engine Silencer		1	
3	7220810	Engine Muffler Gasket		2	
4	7030819	Washer	Φ8	8	
5	7040802	Lock Washer	Φ8	8	
6	7010036A	Inch Bolt	5/16-18×1	4	
7	7010826	Hex Bolt	M8×45	4	
8	7020804	Hex Nut	M8	4	
9	7010821	Hex Bolt	M8×25	2	
10	4221320	Clutch stop		1	
11	7020821	Hex Lock Nut	M8	2	
12	4124390	Spacer		3	42"
				2	48"/52"
13	7110608A	Key	6.35×6.35×30	1	
14	1041880	A97 Pulley		1	
15	7101430	Electromagnetic PTO Clutch		1	42"
16	4124400	Clutch Sleeve		1	
17	4071060	Clutch Plate		2	
18	7010075A	Inch Bolt	7/16-20×3	1	
19	7101440	Electromagnetic PTO Clutch		1	48"/52"
20	4124420	Clutch Sleeve		1	
21	7010071A	Inch Bolt	7/16-20×2 1/2	1	
22	9054890	Transfer Harness		1	48"/52"

BRIGGS & STRATTON

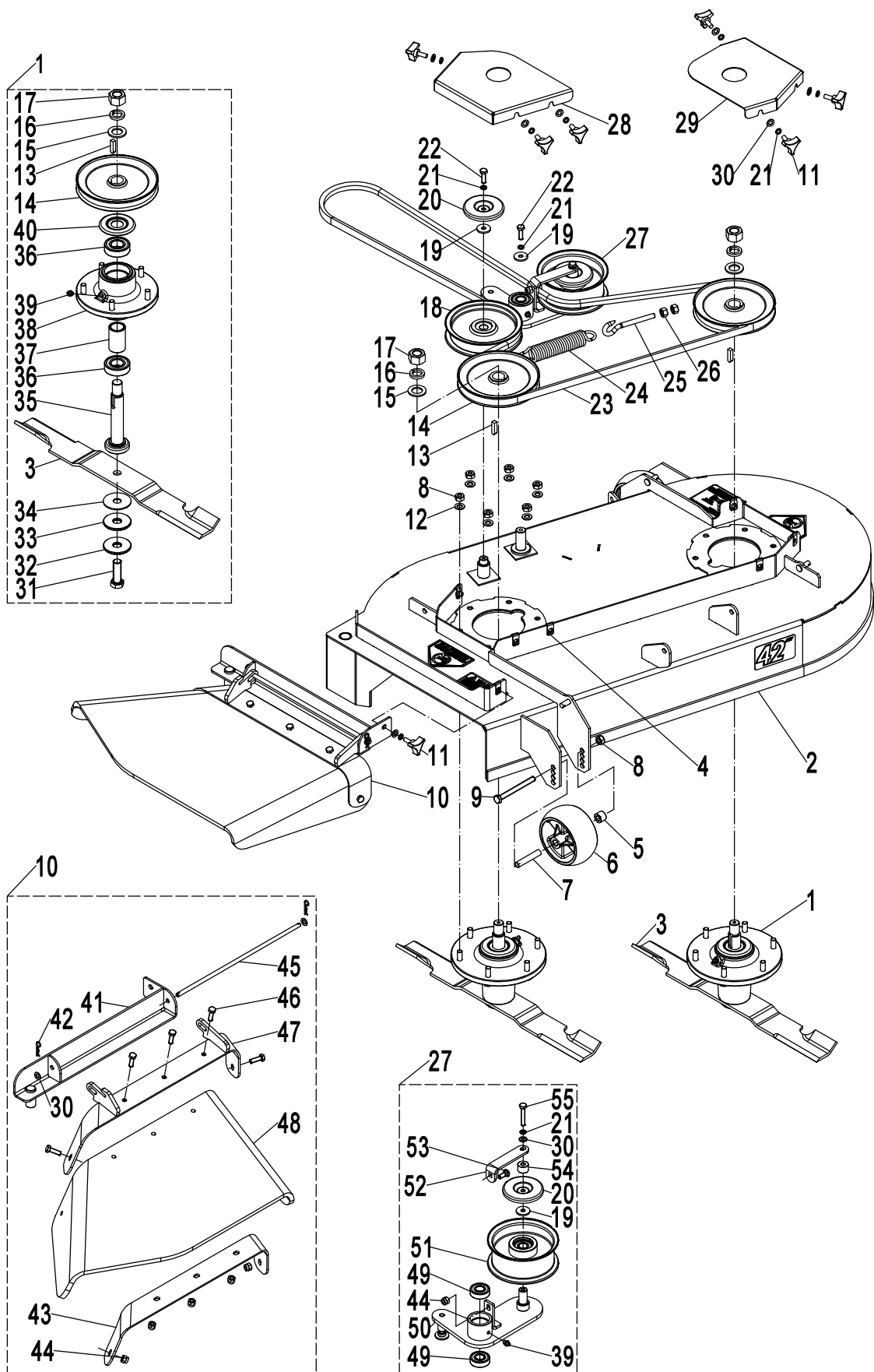


48"/52" Mower

ENGINE ASSEMBLY

Item No.	Part No.	Name	Description	Oty.	Others
1		BS ENGINE		1	
2	4090015	Engine Silencer		1	
3	7220810	Engine Muffler Gasket		2	
4	7030819	Washer	Φ8	8	
5	7040802	Lock Washer	Φ8	8	
6	7010036A	Inch Bolt	5/16-18×1	4	
7	7010826	Hex Bolt	M8×45	4	
8	7020804	Hex Nut	M8	4	
9	7010821	Hex Bolt	M8×25	2	
10	4221320	Clutch stop		1	
11	7020821	Hex Lock Nut	M8	2	
12	7101440	Electromagnetic PTO Clutch		1	
13	4124390	Spacer		1	
14	7110608A	Key	6.35×6.35×30	1	
15	1041880	A97 Pulley		1	
16	4120900	Spacer		2	
17	4124420	Clutch Sleeve		1	
18	4071060	Clutch Plate		2	
19	7010071A	Inch Bolt	7/16-20×2 1/2	1	
20	9054890	Transfer Harness		1	

42" MOWER DECK ASSEMBLY



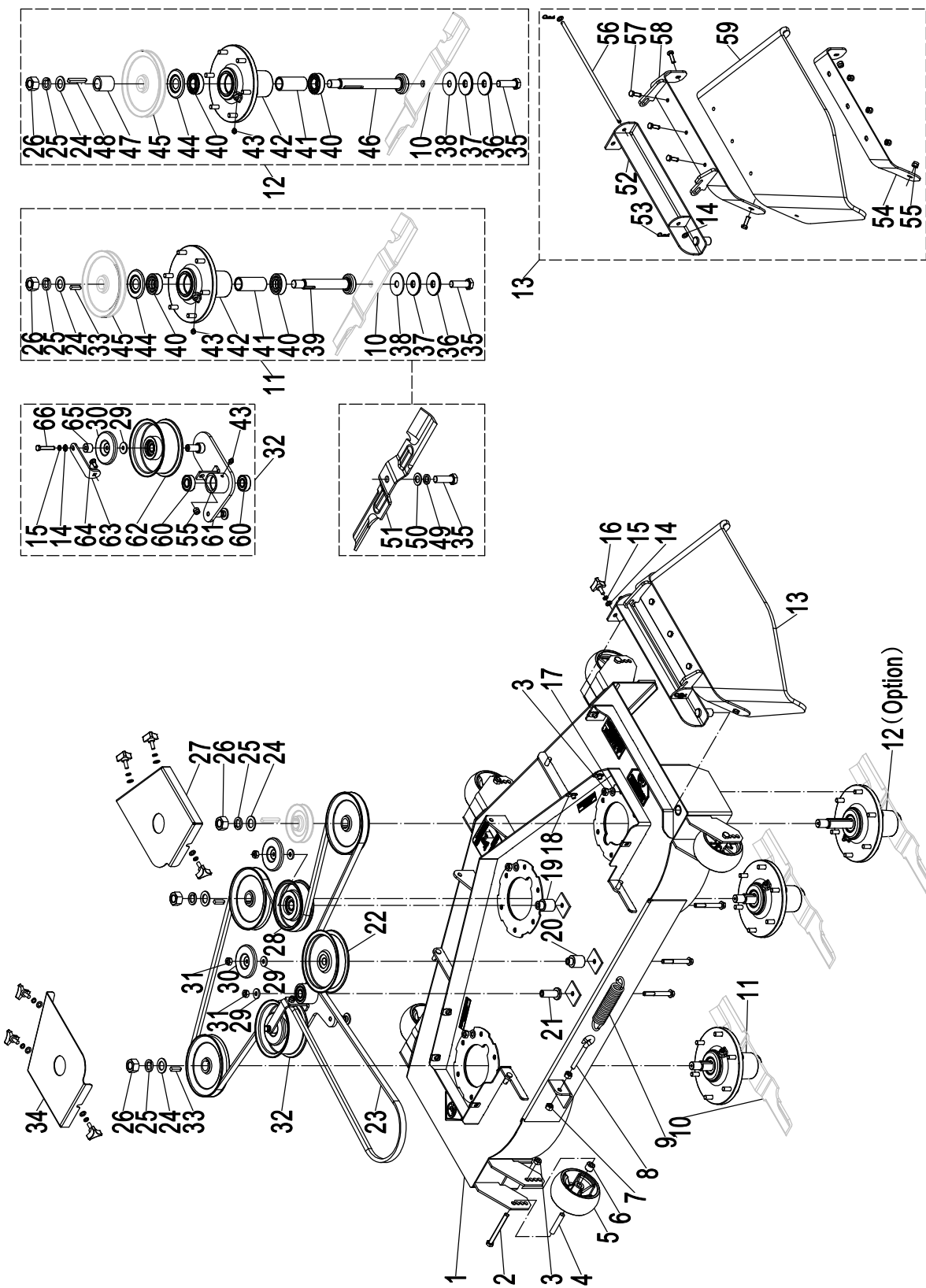
42" MOWER DECK ASSEMBLY

Item No.	Part No.	Name	Description	Qty.	Others
1	1040005	Blade Spindle Assembly			#3、#14 not include
2	4241660	42" Mower Deck		1	
3	3011030	Blade		2	
4	7020820	Type B leaf spring nut	M8	7	
5	4262150-03	Spacer		2	
6	8011800	Anti-scalp Roller		2	
7	4240585	Spacer		2	
8	7021013	Hex Lock Nut	M10	14	
9	7011151	Hex Bolt	M10×100	2	
10	4065330	Discharge Rubber Guard Assembly		1	
11	4011930	Knob	M8×20	7	
12	7031009	Washer	Φ10	12	
13	7110803	Square Key	8×7×30	2	
14	1041660	Pulley	B168	2	
15	7032006	Washer	Φ20	2	
16	7042003	Lock Washer	Φ20	2	
17	7022004	Hex Nut	M20×1.5	2	
18	1041690	Deck Mount		1	
19	7030812	Big Washer	Φ8	3	
20	4061205	Dust cover		2	
21	7040802	Lock Washer	Φ8	9	
22	7010821	Hex Bolt	M8×25	2	
23	1051170	Belt Bando B111		1	
24	7059750	Idler Pulley Spring		1	
25	7181005	Hook bolt	M10×70	1	
26	7021015	Hexagon flange nuts	M10	2	
27	1042012	Idler Pulley Assembly		1	
28	4060385	Belt Guard RH		1	
29	4060395	Belt Guard LH		1	
30	7030819	Washer	Φ8	10	
31	7011606	Hex Bolt	M16×1.5×50	2	
32	4152540	Elastic platen		2	
33	4163210	Washer		2	
34	7031607	Fiber Washer		2	
35	1014040	Spindle Shaft		2	
36	7061232	Deep groove ball bearing	6205-DDU	4	
37	4120860	Bearing Spacer		2	

42" MOWER DECK ASSEMBLY

Item No.	Part No.	Name	Description	Qty.	Others
38	4070440	Spindle Housing		2	
39	7320020	Grease Zerk	M8×1	3	
40	4065201	Bearing Shield		2	
41	4301460	Mount Discharge Shield		1	
42	7130202	pin		2	
43	4151730	Mount Plate/Lower		1	
44	7020821	Lock Nut		6	
45	1014340	Connecting shaft		1	
46	7010893	Hex Bolt	M8×30	5	
47	4157270	Bending welding		1	
48	4065070	Rubber Guard		1	
49	7061223	Deep groove ball bearing	6203-DDU	2	
50	1042652	Idler Arm-Mule Drive		1	
51	1041710	Deck Mount		1	
52	4018673	Anti stripping board		1	
53	7180812	Square neck bolt	M8×20	1	
54	4018672	Spacer		1	
55	7010826	Hex Bolt	M8×45	1	
56	3011320	Blade Spindle Assembly		1	#3、#14 not include
57	1013082	Spindle Shaft		1	
58	4120870	Spacer		1	
59	7110820	Key	8×7×60	1	

48" & 52" MOWER DECKS ASSEMBLY



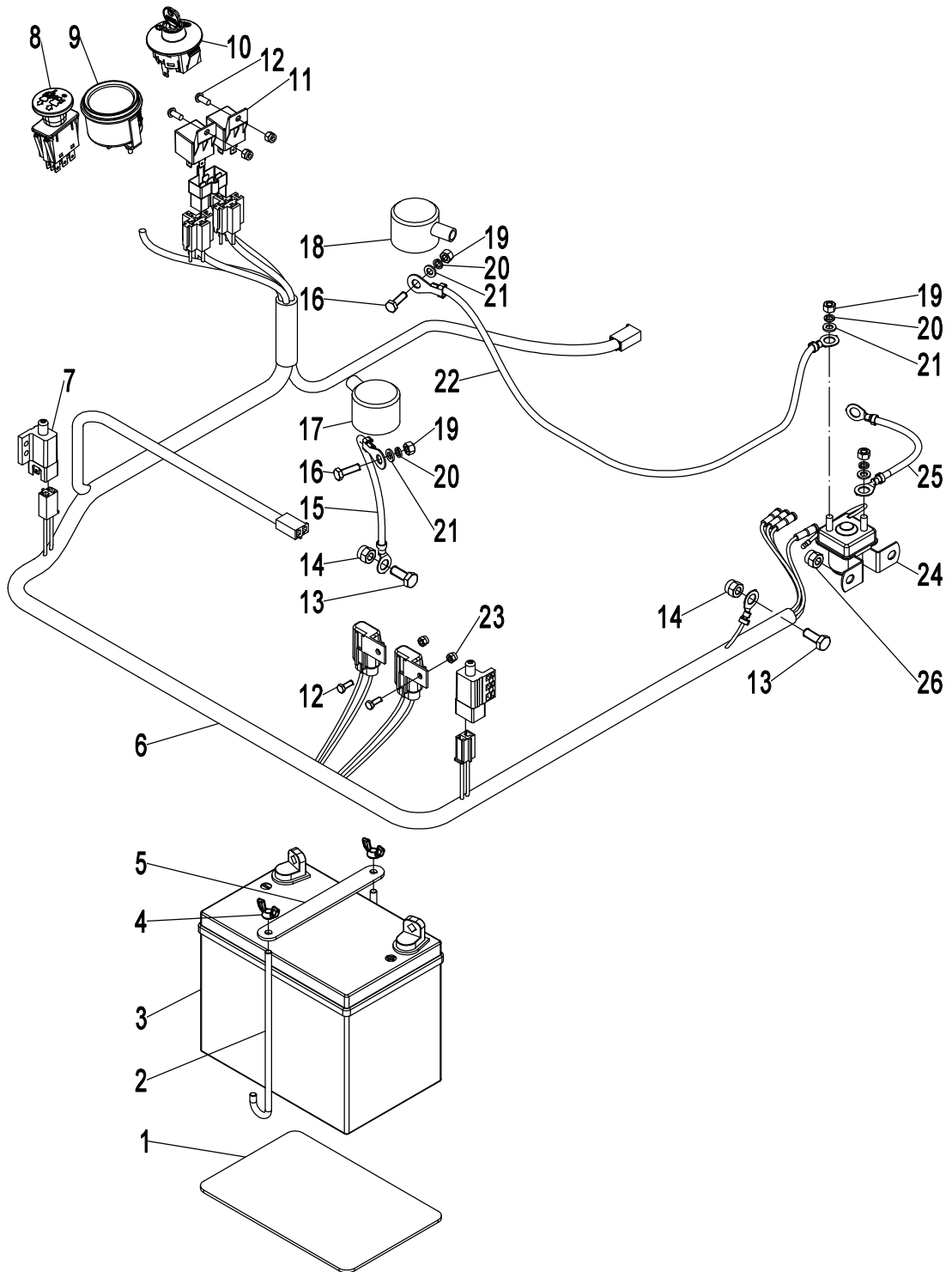
48" & 52" MOWER DECKS ASSEMBLY

Item No.	Part No.	Name	Description	Qty.	Others
1	4241670	48" Mower Deck		1	48"
	3051200	52" Mower Deck		1	52"
2	7011151	Hex Bolt	M10×100	5	
3	7021013	Hex Lock Nut	M10	23	
4	4240585	Spacer		5	
5	8011800	Anti-scalp Roller		5	
6	4262150-03	Spacer		5	
7	7021015	Hexagon flange nuts	M10	2	
8	7181005	Hook bolt	M10×70	1	
9	7059750	Idler Pulley Spring		1	
10	3010429	429 Blade		3	48"
11	1040005	Blade Spindle Assembly		1	#10、 #45 not include
12	3011320	Blade Spindle Assembly		1	#10、 #45 not include
13	4065330	Discharge Rubber Guard		1	
14	7030819	Washer	Φ8	10	
15	7040802	Lock Washer	Φ8	8	
16	4011930	Knob	M8×20	7	
17	7031009	Washer	Φ10	18	
18	7020820	Type B leaf spring nut	M8	7	
19	4241677	Fixed tension axle		1	
20	4241676	Fixed tension axle		1	
21	4241678	Dynamic tensioning axle		1	
22	1041690	Deck Mount		1	
23	1051003	Belt Bando B144		1	
24	7032006	Washer	Φ20	3	
25	7042003	Lock Washer	Φ20	3	
26	7022004	Hex Nut	M20×1.5	3	
27	4241680	Belt Guard RH		1	
28	1041700	Idler Pulley		1	
29	4241679	Spacer		3	
30	4061205	Dust cover		3	
31	7021039	Hex Nut	M10	3	
32	1042012	Idler Pulley Assembly		1	
33	7110803	Square Key	8×7×30	3	
34	4241690	Belt Guard LH		1	
35	7011606	Hex Bolt	M16×1.5×50	3	
36	4152540	Elastic platen		3	48"

48"&52" MOWER DECKS ASSEMBLY

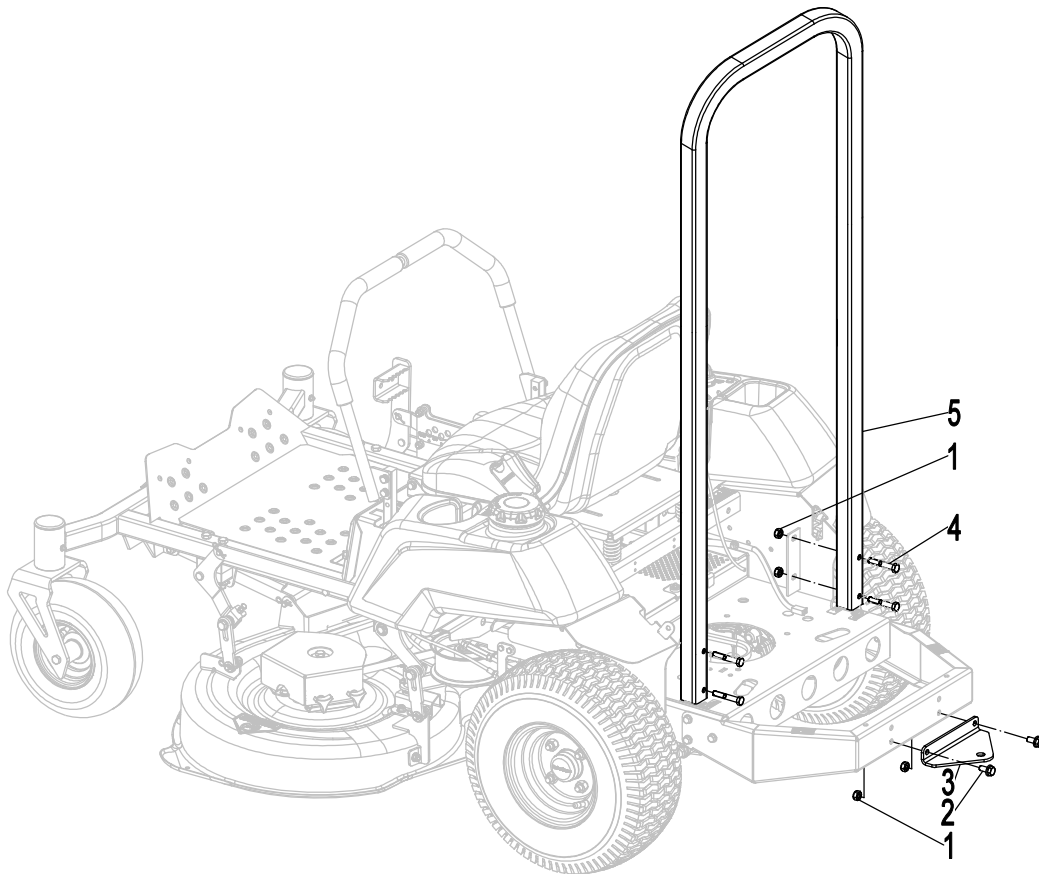
Item No.	Part No.	Name	Description	Qty.	Others
37	4163210	Washer		3	48"
38	7031607	Fiber Washer		3	48"
39	1014040	Spindle Shaft		3	
40	7061232	Deep groove ball bearing	6205-DDU	6	
41	4120860	Bearing Spacer		3	
42	4070440	Spindle Housing		3	
43	7320020	Grease Zerk	M8×1	4	
44	4065201	Bearing Shield		3	
45	1042100	Pulley	B157	3	
46	1013082	Spindle Shaft		1	
47	4120870	Spacer		1	
48	7110820	Key	8×7×60	1	
49	7041603	Lock Washer	Φ16	3	52"
50	7031602	Washer	Φ16	3	52"
51	3010752	458 Blade		3	52"
52	4301460	Mount Discharge Shield		1	
53	7130202	pin		2	
54	4151730	Mount Plate/Lower		1	
55	7020821	Lock Nut		6	
56	1014340	Connecting shaft		1	
57	7010893	Hex Bolt	M8×30	5	
58	4157270	Bending welding		1	
59	4065070	Rubber Guard		1	
60	7061223	Deep groove ball bearing	6203-DDU	2	
61	1042652	Idler Arm-Mule Drive		1	
62	1041710	Deck Mount		1	
63	4018673	Anti stripping board		1	
64	7180812	Square neck bolt	M8×20	1	
65	4018672	Spacer		1	
66	7010826	Hex Bolt	M8×45	1	

ELECTRICAL ASSEMBLY

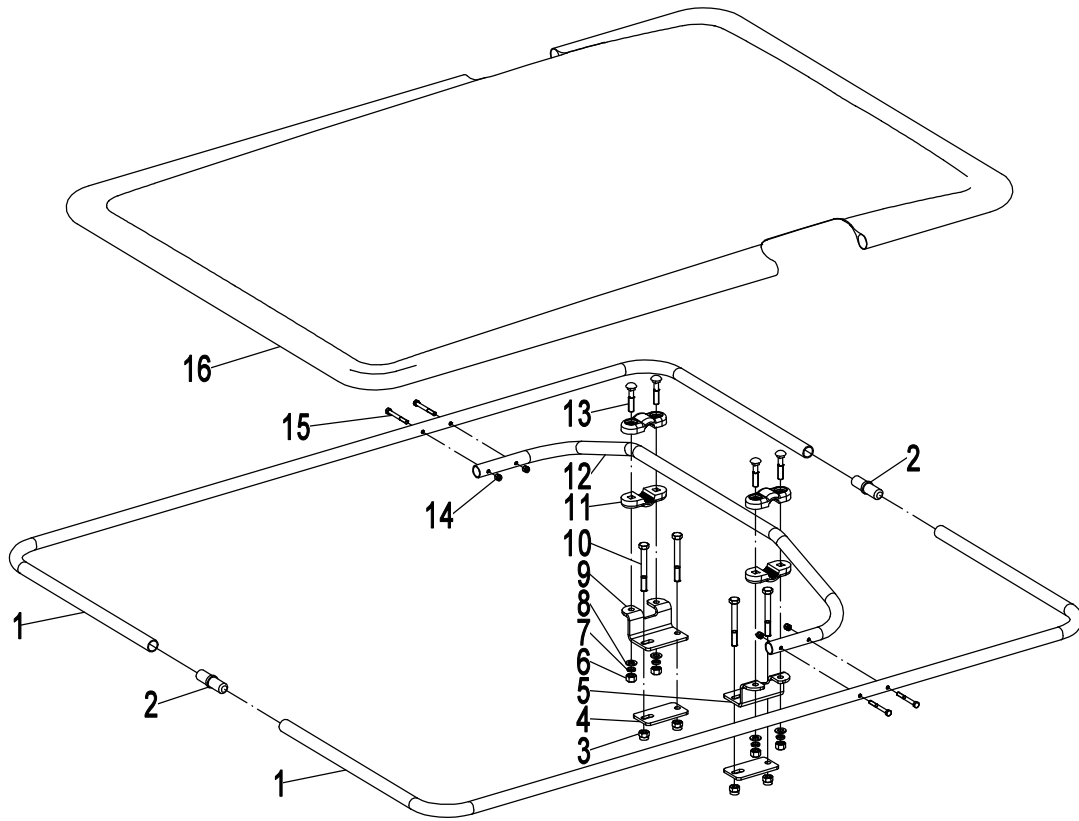


ELECTRICAL ASSEMBLY

Item No.	Part No.	Name	Description	Oty.	Others
1	5041160	Battery cushion		1	
2	4181281	Battery Hold Down Strap Rod		2	
3	9070330	Battery		1	
4	7020606	Wing Nut		2	
5	4152270	Battery Hold Down Plate		1	
6	9053202	Main Harness		1	
7	9010495	Interlock Switch		2	
8	9010548	PTO Clutch Switch		1	
9	9100660	Electric Change and Hour		1	
10	E72919-1	Ignition Switch		1	
11	9021001	Relay		2	
12	7260507	Cross Recess Head Screw	M5×12	4	
13	7010894	Hex Flange Bolt	M8×16	2	
14	7020821	Hex Lock Nut	M8	2	
15	9053181	Battery negative wire harness		1	
16	7010667	Hex Bolt	M6×20	2	
17	9121752	Cathode Protective Cap		1	
18	9121751	Cathode Protective Cap		1	
19	7020604	Hex Nut	M6	4	
20	7040601	Lock Washer	Φ6	4	
21	7030601	Washer	Φ6	4	
22	9053171	Battery positive wire harness		1	
23	7020505	Hex Lock Nut	M5	4	
24	9020280	Starting Relay		1	
25	9053191	Starting harness		1	
26	7020602	Hex Lock Nut	M6	2	



Item No.	Part No.	Name	Description	Oty.	Others
1	7021013	Hex Lock Nut	M10	6	
2	7011092	Hex Bolt	M10×20	2	
3	5090910	Tow Hook Plate		1	
4	7011065	Hex Bolt	M10×65	4	
5	4261060-01	ROPS Tube		1	



Item No.	Part No.	Name	Description	Oty.	Others
1	4271510	Support Tube I		2	
2	4310300	Support Tube I		2	
3	7020821	Lock Nut	M8	4	
4	4151660	Clamp Plate		2	
5	4301210	L-Connecting Plate		1	
6	7020804	Hex Nut	M8	4	
7	7040802	Lock Washer	Φ8	4	
8	7030819	Washer	Φ8	4	
9	4301200	R-Connecting Plate		1	
10	7010880	Hex Bolt	M8×70	4	
11	4162540	Clamp Bolck		4	
12	4271520	Support Tube II		1	
13	7180813	Cup Head Square Neck Bolt	M8×40	4	
14	7020505	Lock Nut	M5	4	
15	7260515	Cross Recess Head Screw	M5×40	4	
16	4065620	Cover Fabric Grey		1	

ELECTRICAL DIAGRAM

